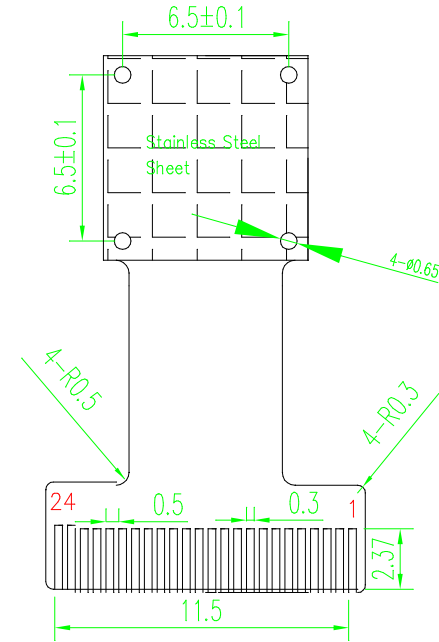
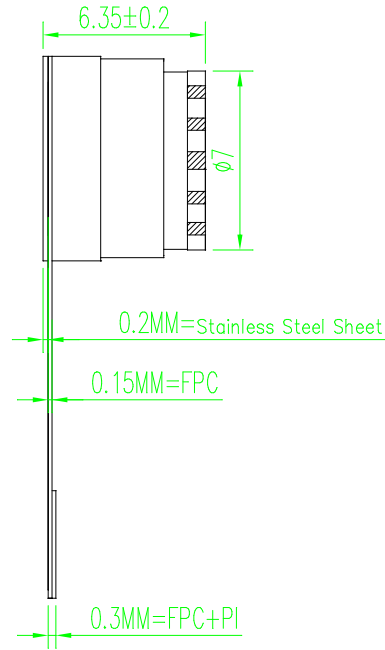
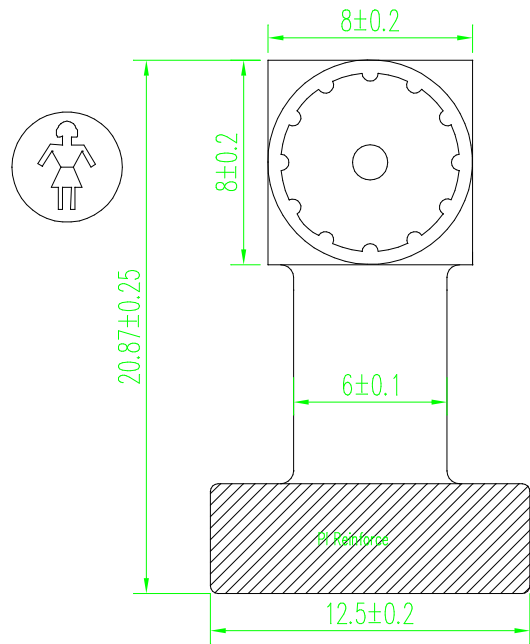


RoHS

SHT NO.	DATA	INITIAL	ENGINEER	DESCRIPTION	APPROVED
1					
2					
3					
4					



PIN	DESCRIPTION
1#	NC
2#	AGND
3#	SIO_D
4#	AVDD
5#	SIO_C
6#	RESET
7#	VSYNC
8#	PWDN
9#	HREF
10#	DVDD
11#	DOVDD
12#	D9
13#	XCLK
14#	D8
15#	DGND
16#	D7
17#	PCLK
18#	D6
19#	D2
20#	D5
21#	D3
22#	D4
23#	D1
24#	D0

KEY PARAMETER

EFL	2.8mm	Chip Type	NT99141	VCM Driver	/
F.NO	2.8	Array Size	1284*724	VCM Voltage	/
View Angle	68°	Lens Size	1/4 inch	VCM Current	/
Distortion	<1.0%	DVDD	1.5V	VCM Resistance	/
Focusing Range	TBD	DOVDD	1.8V/2.8V	Mating Connector	FH52E-24S-0.5SH(99)
CRA	TBD	AVDD	3.3V		
		Module Type	FF		

DRAWN	M. ZHANG	THIRD ANGLE PROJECTION
CHECKED	J. LI	
DATE	08/04/2017	
APPROVED :		ALL DIMENSION IN MM
DRAUGHTING	L. JIANG	UNSPECIFIED TOL : .XXX ± 0.005 .XX ± 0.05 .X ± 0.1 ∠ ± 0.5°
ENGINEERING	K. ZHANG	
PARAMETER	B. LV	
QUALITY	X.P. LI	
SCALE:		1:1

Arducam

TITLE:	AM991410806SP021F
DRG NO.	AM-99141-A021-V1.0
SHT NO.	1/1