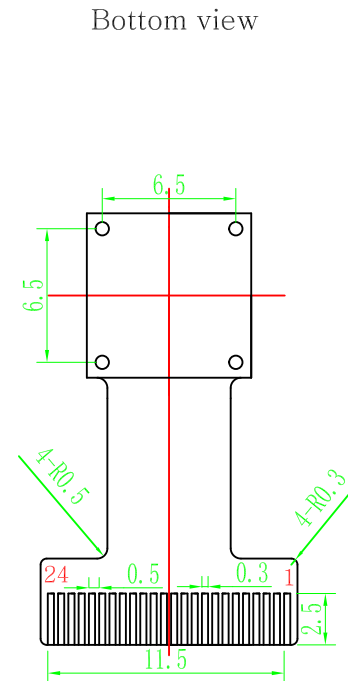
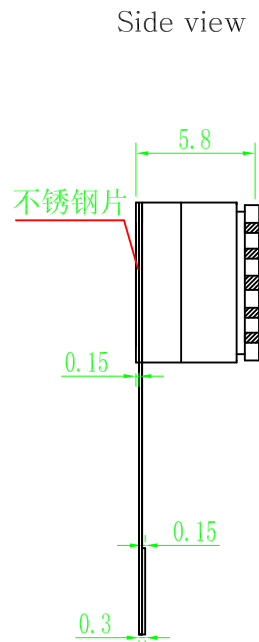
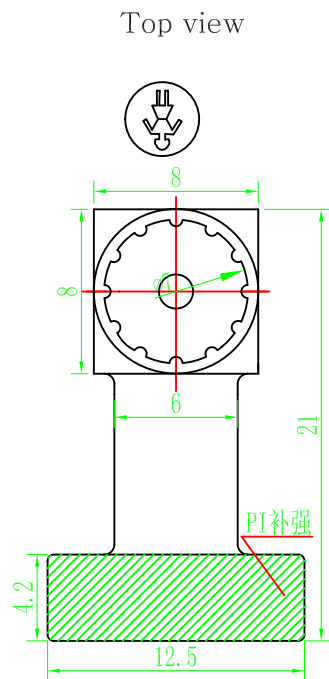


CONNECTOR  
24PIN DESCRIPTION

NO.	SYMBOL
1	NC
2	AGND
3	SIO_D
4	AVDD
5	SIO_C
6	RESET
7	VSYNC
8	PWDN
9	HREF
10	DVDD
11	DOVDD
12	Y9
13	XCLK1
14	Y8
15	DGND
16	Y7
17	PCLK
18	Y6
19	Y2
20	Y5
21	Y3
22	Y4
23	Y1
24	Y0



\* 未注公差为: ±0.1mm

Lens parameter

焦距(EFL)	3.0mm	像素(Array Size)	1300X1028
光圈(F.NO)	2.8	镜头类型(Lens Size)	1/4inch
视场角(View Angle)	68°	数字电路电压(DVDD)	1.8±10%v
畸变(Distortion)	<1.0%	模拟电路电压(AVDD)	2.45Vto2.8V
感光芯片(Chip Type)	OV9653 SENSOR	接口电路电压(DOVDD)	2.5Vto3.0V

ITEM	PART NAME	DWG NO.	QTY	MATERIAL REMARK
<b>Uctronics</b>				
TITLE: UC9650-A				SCALE: 1:1
MATERIAL:		TREATMENT:		
UNSPECIFIED TOL:	DWN.BY: RICK 12/09/20	PROJECT NO.:		
.xxx ± 0.005	CHK.BY: / /	DWG NO.:		
.xx ± 0.05	APP.BY: / /	CAD NO.:		
.x ± 0.1				
∠ ± 0.5°				
ALL DIMENSION IN MM	REMOVE ALL BURRS BREAK SHARP EDGES	DO NOT SCALE	SHEET OF P1/1	A4