

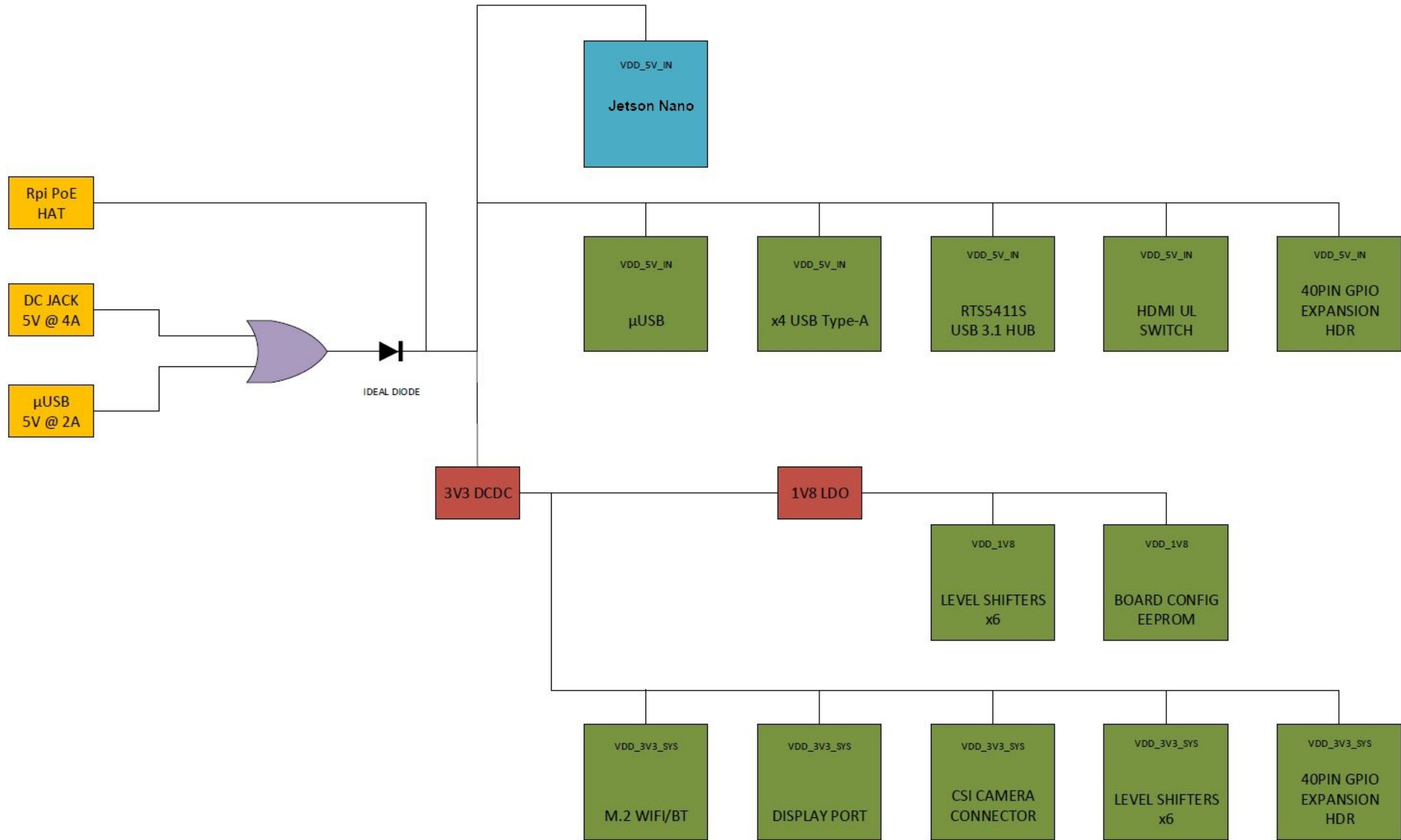
ASSEMBLY	Jetson Nano Carrier Board
PAGE DETAIL	Block Diagram

ALL NVIDIA DESIGN SPECIFICATIONS, REFERENCE SPECIFICATIONS, REFERENCE BOARDS, FILES, DRAWINGS, DIAGNOSTICS, LISTS AND OTHER DOCUMENTS OR INFORMATION (TOGETHER AND SEPARATELY, 'MATERIALS') ARE BEING PROVIDED 'AS IS'. THE MATERIALS MAY CONTAIN KNOWN AND UNKNOWN VIOLATIONS OR DEVIATIONS OF INDUSTRY STANDARDS AND SPECIFICATIONS. NVIDIA MAKES NO WARRANTIES, EXPRESSED, IMPLIED, STATUTORY OR OTHERWISE WITH RESPECT TO THE MATERIALS OR OTHERWISE, AND EXPRESSLY DISCLAIMS ALL IMPLIED WARRANTIES INCLUDING, WITHOUT LIMITATION, THE WARRANTIES OF DESIGN, OF NONINFRINGEMENT, MERCHANTABILITY OR FITNESS FOR A PARTICULAR PURPOSE, OR ARISING FROM A COURSE OF DEALING, TRADE USAGE, TRADE PRACTICE, OR INDUSTRY STANDARDS.

NVIDIA CORPORATION
 2701 SAN TOMAS EXPRESSWAY
 SANTA CLARA, CA 95050, USA

NV_PN	600-13449-0000-400	PAGE	2 OF 23
PCB REV	P3449-B01	DATE	08-MAY-2019
BOM REV	A		

Power Tree

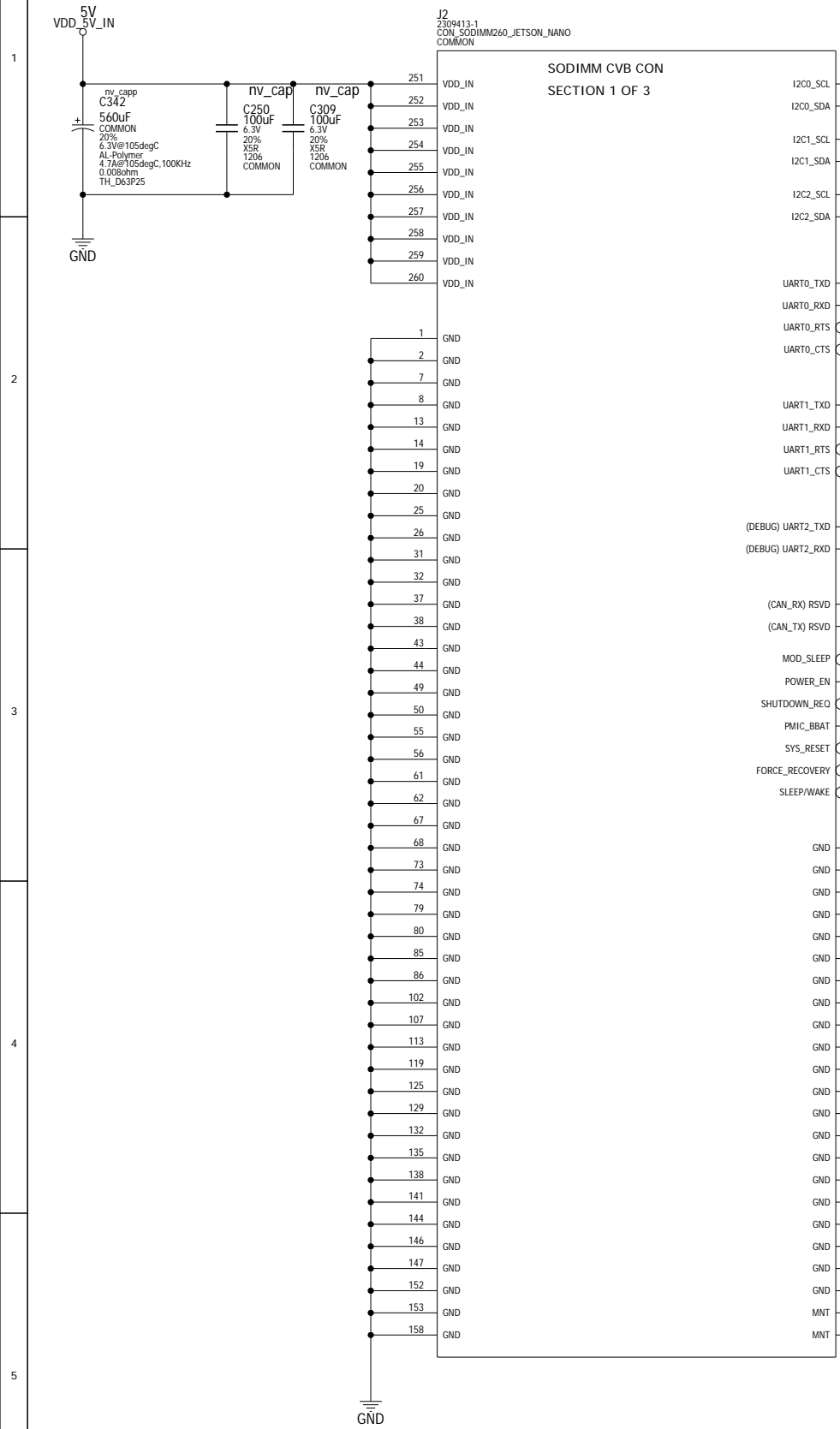


NVIDIA CORPORATION		2701 SAN TOMAS EXPRESSWAY		SANTA CLARA, CA 95050, USA	
NV_PN	600-13449-0000-400	PAGE	3 OF 23		
PCB REV	P3449-B01	DATE	08-MAY-2019		
BOM REV	A				

ALL NVIDIA DESIGN SPECIFICATIONS, REFERENCE SPECIFICATIONS, REFERENCE BOARDS, FILES, DRAWINGS, DIAGNOSTICS, LISTS AND OTHER DOCUMENTS OR INFORMATION (TOGETHER AND SEPARATELY, 'MATERIALS') ARE BEING PROVIDED 'AS IS'. THE MATERIALS MAY CONTAIN KNOWN AND UNKNOWN VIOLATIONS OR DEVIATIONS OF INDUSTRY STANDARDS AND SPECIFICATIONS. NVIDIA MAKES NO WARRANTIES, EXPRESSED, IMPLIED, STATUTORY OR OTHERWISE WITH RESPECT TO THE MATERIALS OR OTHERWISE, AND EXPRESSLY DISCLAIMS ALL IMPLIED WARRANTIES INCLUDING, WITHOUT LIMITATION, THE WARRANTIES OF DESIGN, OF NONINFRINGEMENT, MERCHANTABILITY OR FITNESS FOR A PARTICULAR PURPOSE, OR ARISING FROM A COURSE OF DEALING, TRADE USAGE, TRADE PRACTICE, OR INDUSTRY STANDARDS.

ASSEMBLY	Jetson Nano Carrier Board
PAGE DETAIL	Power Tree

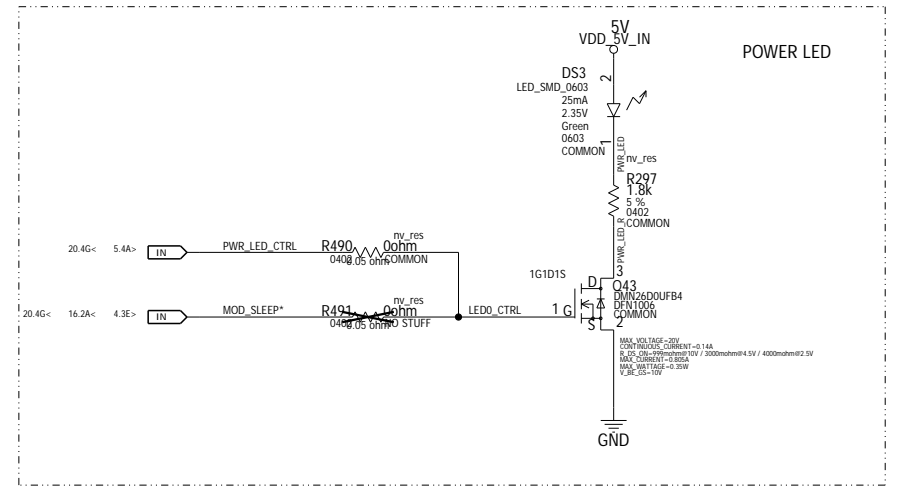
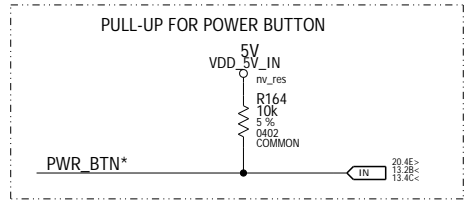
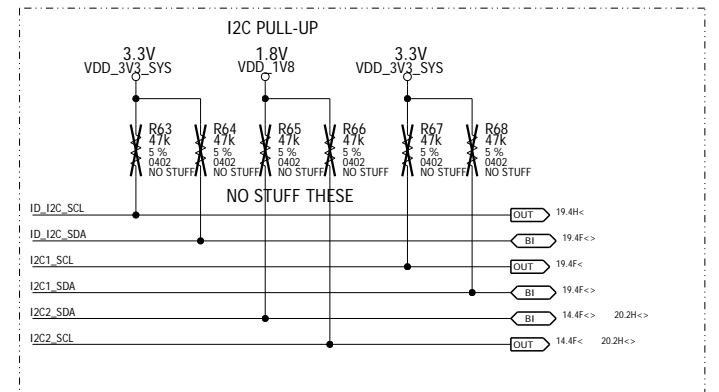
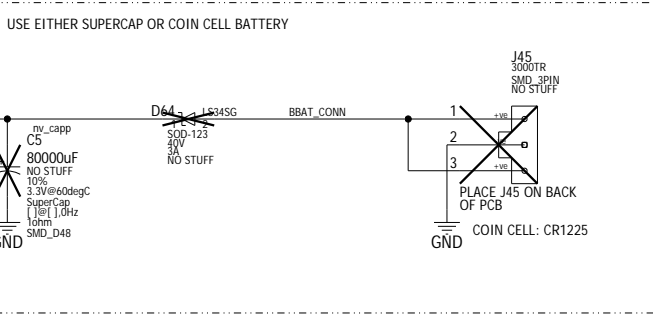
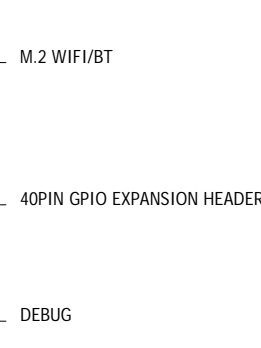
UART, I2C, CAN and GPIOs



J2
2509413-1
CON_SODIMM260_JETSON_NANO
COMMON

SODIMM CVB CON
SECTION 1 OF 3

185	500HM_NETCLASS2	ID_I2C_SCL	ID_I2C_SCL	OUT	14.2C<
187	500HM_NETCLASS2	ID_I2C_SDA	ID_I2C_SDA	BI	19.4F<>
189	500HM_NETCLASS2	I2C1_SCL	I2C1_SCL	OUT	19.4F<>
191	500HM_NETCLASS2	I2C1_SDA	I2C1_SDA	BI	19.4F<>
232	500HM_NETCLASS2	I2C2_SCL	I2C2_SCL	OUT	14.4F<>
234	500HM_NETCLASS2	I2C2_SDA	I2C2_SDA	BI	20.2H<>
99	500HM_NETCLASS2	UART0_TXD	UART0_TXD	OUT	14.2C<
101	500HM_NETCLASS2	UART0_RXD	UART0_RXD	IN	14.3C<
103	500HM_NETCLASS2	UART0_RTS	UART0_RTS	IN	14.2C<
105	500HM_NETCLASS2	UART0_CTS	UART0_CTS	OUT	14.2C<
203	500HM_NETCLASS2	UART1_TXD	UART1_TXD	OUT	19.2E<>
205	500HM_NETCLASS2	UART1_RXD	UART1_RXD	IN	19.2E<>
207	500HM_NETCLASS2	UART1_RTS	UART1_RTS	OUT	19.2A<>
209	500HM_NETCLASS2	UART1_CTS	UART1_CTS	IN	19.2E<>
236	500HM_NETCLASS2	UART2_TXD	UART2_TXD	OUT	20.4B<
238	500HM_NETCLASS2	UART2_RXD	UART2_RXD	IN	20.4B<
143		CAN_RX	CAN_RX	TP1	
145		CAN_TX	CAN_TX	TP2	
178		MOD_SLEEP*	MOD_SLEEP*	OUT	16.2A<
237		POWER_EN	POWER_EN	IN	13.2H<
233		FORCE_OFF*	FORCE_OFF*	OUT	13.3B<
235		BBAT	BBAT		
239		SYS_RST*	SYS_RST*	OUT	20.3E<
214		FORCE_RECOVERY*	FORCE_RECOVERY*	OUT	20.4E<
240		PWR_BTN*	PWR_BTN*		
159					
164					
165					
170					
171					
176					
177					
200					
201					
217					
231					
241					
242					
243					
244					
245					
246					
248					
249					
250					
261					
262					



ASSEMBLY	Jetson Nano Carrier Board
PAGE DETAIL	SODIMM connector 1/3

ALL NVIDIA DESIGN SPECIFICATIONS, REFERENCE SPECIFICATIONS, REFERENCE BOARDS, FILES, DRAWINGS, DIAGNOSTICS, LISTS AND OTHER DOCUMENTS OR INFORMATION (TOGETHER AND SEPARATELY, 'MATERIALS') ARE BEING PROVIDED 'AS IS'. THE MATERIALS MAY CONTAIN KNOWN AND UNKNOWN VIOLATIONS OR DEVIATIONS OF INDUSTRY STANDARDS AND SPECIFICATIONS. NVIDIA MAKES NO WARRANTIES, EXPRESSED, IMPLIED, STATUTORY OR OTHERWISE WITH RESPECT TO THE MATERIALS OR OTHERWISE, AND EXPRESSLY DISCLAIMS ALL IMPLIED WARRANTIES INCLUDING, WITHOUT LIMITATION, THE WARRANTIES OF DESIGN, OF NONINFRINGEMENT, MERCHANTABILITY OR FITNESS FOR A PARTICULAR PURPOSE, OR ARISING FROM A COURSE OF DEALING, TRADE USAGE, TRADE PRACTICE, OR INDUSTRY STANDARDS.

NVIDIA CORPORATION
 2701 SAN TOMAS EXPRESSWAY
 SANTA CLARA, CA 95050, USA

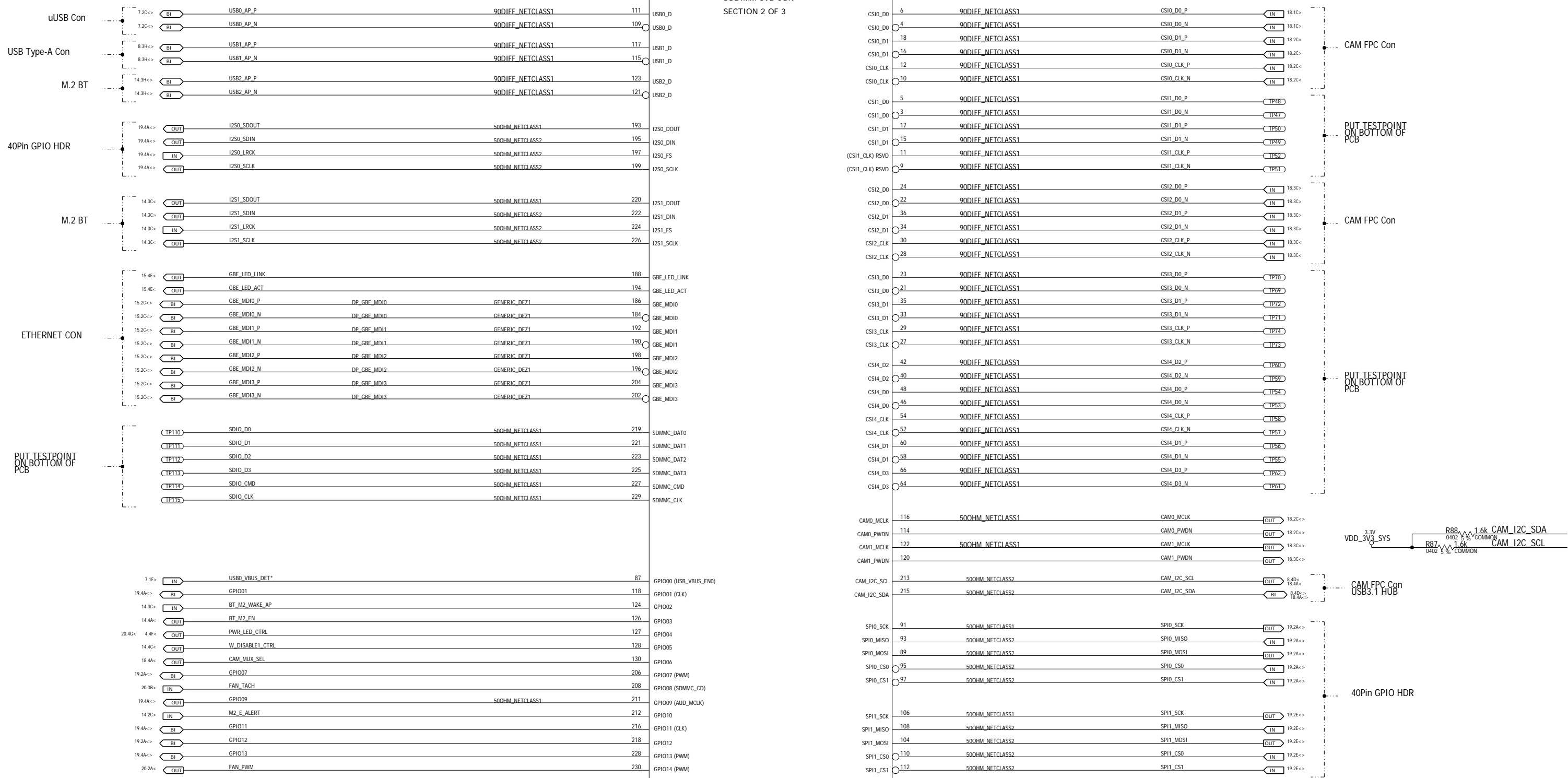
NV_PN 600-13449-0000-400
 PCB REV P3449-B01
 BOM REV A

PAGE 4 OF 23
 DATE 08-MAY-2019

GPIOs, USB2.0, I2S, SPI, GBe and CSI

J2
2309413-1
CON_SODIMM260_JETSON_NANO
COMMON

SODIMM CVB CON SECTION 2 OF 3



NVIDIA CORPORATION
2701 SAN TOMAS EXPRESSWAY
SANTA CLARA, CA 95050, USA

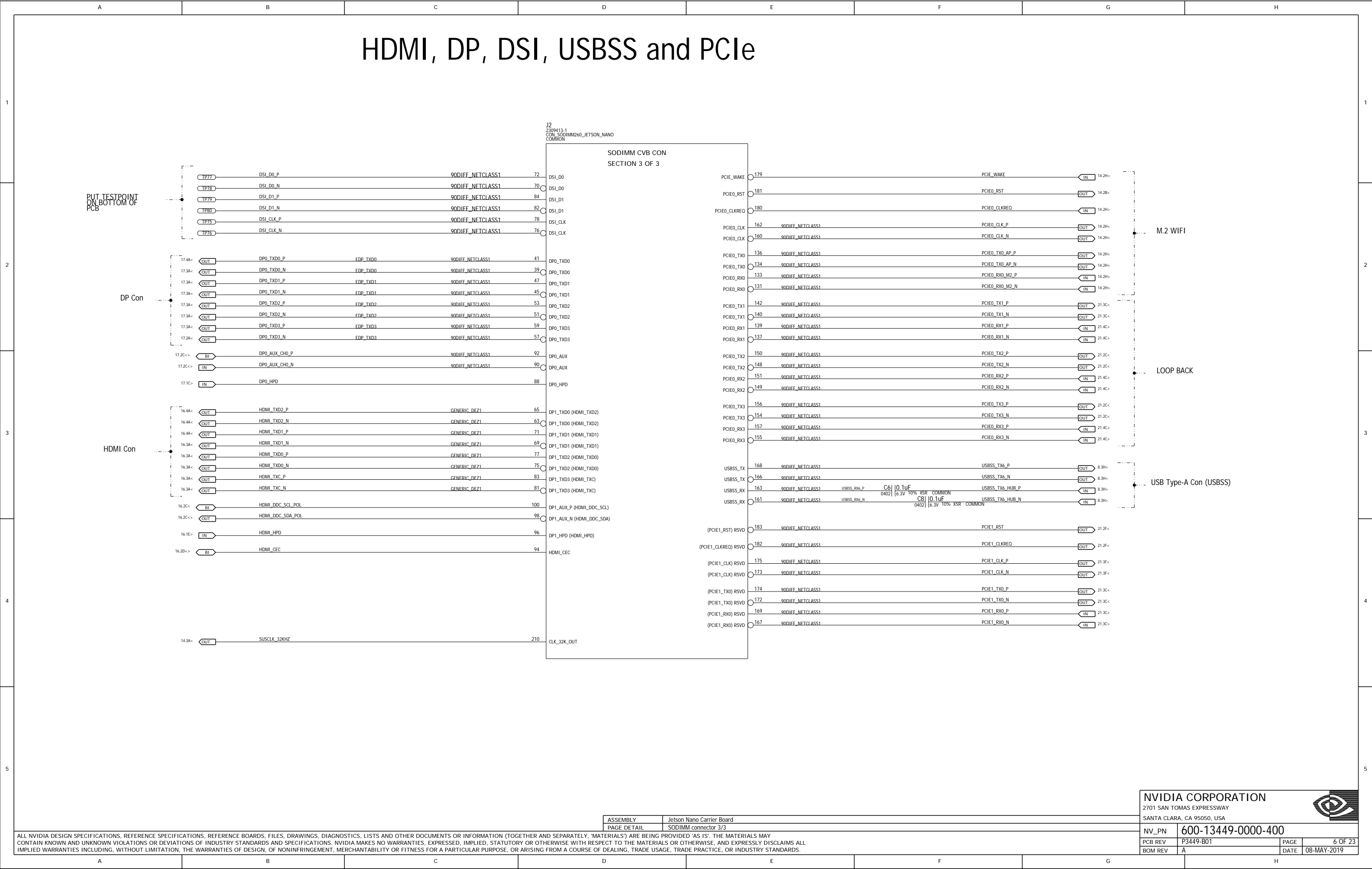
NV_PN **600-13449-0000-400**

PCB REV	P3449-B01	PAGE	5 OF 23
BOM REV	A	DATE	08-MAY-2019

ASSEMBLY	Jetson Nano Carrier Board
PAGE DETAIL	SODIMM connector 2/3

ALL NVIDIA DESIGN SPECIFICATIONS, REFERENCE SPECIFICATIONS, REFERENCE BOARDS, FILES, DRAWINGS, DIAGNOSTICS, LISTS AND OTHER DOCUMENTS OR INFORMATION (TOGETHER AND SEPARATELY, "MATERIALS") ARE BEING PROVIDED "AS IS". THE MATERIALS MAY CONTAIN KNOWN AND UNKNOWN VIOLATIONS OR DEVIATIONS OF INDUSTRY STANDARDS AND SPECIFICATIONS. NVIDIA MAKES NO WARRANTIES, EXPRESSED, IMPLIED, STATUTORY OR OTHERWISE WITH RESPECT TO THE MATERIALS OR OTHERWISE, AND EXPRESSLY DISCLAIMS ALL IMPLIED WARRANTIES INCLUDING, WITHOUT LIMITATION, THE WARRANTIES OF DESIGN, OF NONINFRINGEMENT, MERCHANTABILITY OR FITNESS FOR A PARTICULAR PURPOSE, OR ARISING FROM A COURSE OF DEALING, TRADE USAGE, TRADE PRACTICE, OR INDUSTRY STANDARDS.

HDMI, DP, DSI, USBSS and PCIe



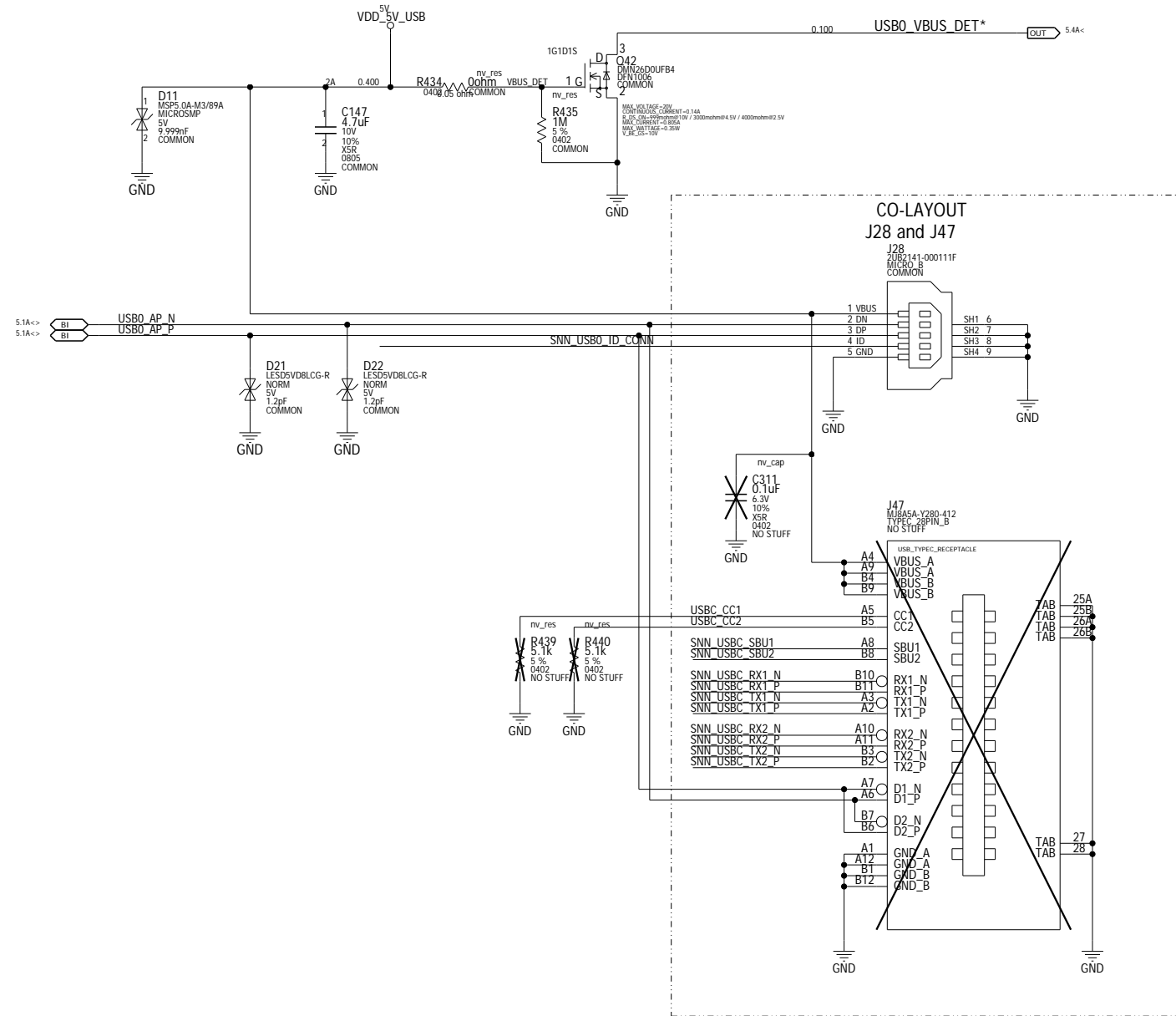
ASSEMBLY Jetson Nano Carrier Board
PAGE DETAIL SODIMM connector 3/3

NVIDIA CORPORATION
2701 SAN TOMAS EXPRESSWAY
SANTA CLARA, CA 95050, USA

NV_PN 600-13449-0000-400
PCB REV P3449-B01 PAGE 6 OF 23
BOM REV A DATE 08-MAY-2019

ALL NVIDIA DESIGN SPECIFICATIONS, REFERENCE SPECIFICATIONS, REFERENCE BOARDS, FILES, DRAWINGS, DIAGNOSTICS, LISTS AND OTHER DOCUMENTS OR INFORMATION (TOGETHER AND SEPARATELY, 'MATERIALS') ARE BEING PROVIDED 'AS IS'. THE MATERIALS MAY CONTAIN KNOWN AND UNKNOWN VIOLATIONS OR DEVIATIONS OF INDUSTRY STANDARDS AND SPECIFICATIONS. NVIDIA MAKES NO WARRANTIES, EXPRESSED, IMPLIED, STATUTORY OR OTHERWISE WITH RESPECT TO THE MATERIALS OR OTHERWISE, AND EXPRESSLY DISCLAIMS ALL IMPLIED WARRANTIES INCLUDING, WITHOUT LIMITATION, THE WARRANTIES OF DESIGN, OF NONINFRINGEMENT, MERCHANTABILITY OR FITNESS FOR A PARTICULAR PURPOSE, OR ARISING FROM A COURSE OF DEALING, TRADE USAGE, TRADE PRACTICE, OR INDUSTRY STANDARDS.

MICRO AB USB 2.0 CONNECTOR



ASSEMBLY	Jetson Nano Carrier Board
PAGE DETAIL	USB2.0 micro

ALL NVIDIA DESIGN SPECIFICATIONS, REFERENCE SPECIFICATIONS, REFERENCE BOARDS, FILES, DRAWINGS, DIAGNOSTICS, LISTS AND OTHER DOCUMENTS OR INFORMATION (TOGETHER AND SEPARATELY, 'MATERIALS') ARE BEING PROVIDED 'AS IS'. THE MATERIALS MAY CONTAIN KNOWN AND UNKNOWN VIOLATIONS OR DEVIATIONS OF INDUSTRY STANDARDS AND SPECIFICATIONS. NVIDIA MAKES NO WARRANTIES, EXPRESSED, IMPLIED, STATUTORY OR OTHERWISE WITH RESPECT TO THE MATERIALS OR OTHERWISE, AND EXPRESSLY DISCLAIMS ALL IMPLIED WARRANTIES INCLUDING, WITHOUT LIMITATION, THE WARRANTIES OF DESIGN, OF NON-INFRINGEMENT, MERCHANTABILITY OR FITNESS FOR A PARTICULAR PURPOSE, OR ARISING FROM A COURSE OF DEALING, TRADE USAGE, TRADE PRACTICE, OR INDUSTRY STANDARDS.

NVIDIA CORPORATION

2701 SAN TOMAS EXPRESSWAY

SANTA CLARA, CA 95050, USA



NV_PN 600-13449-0000-400

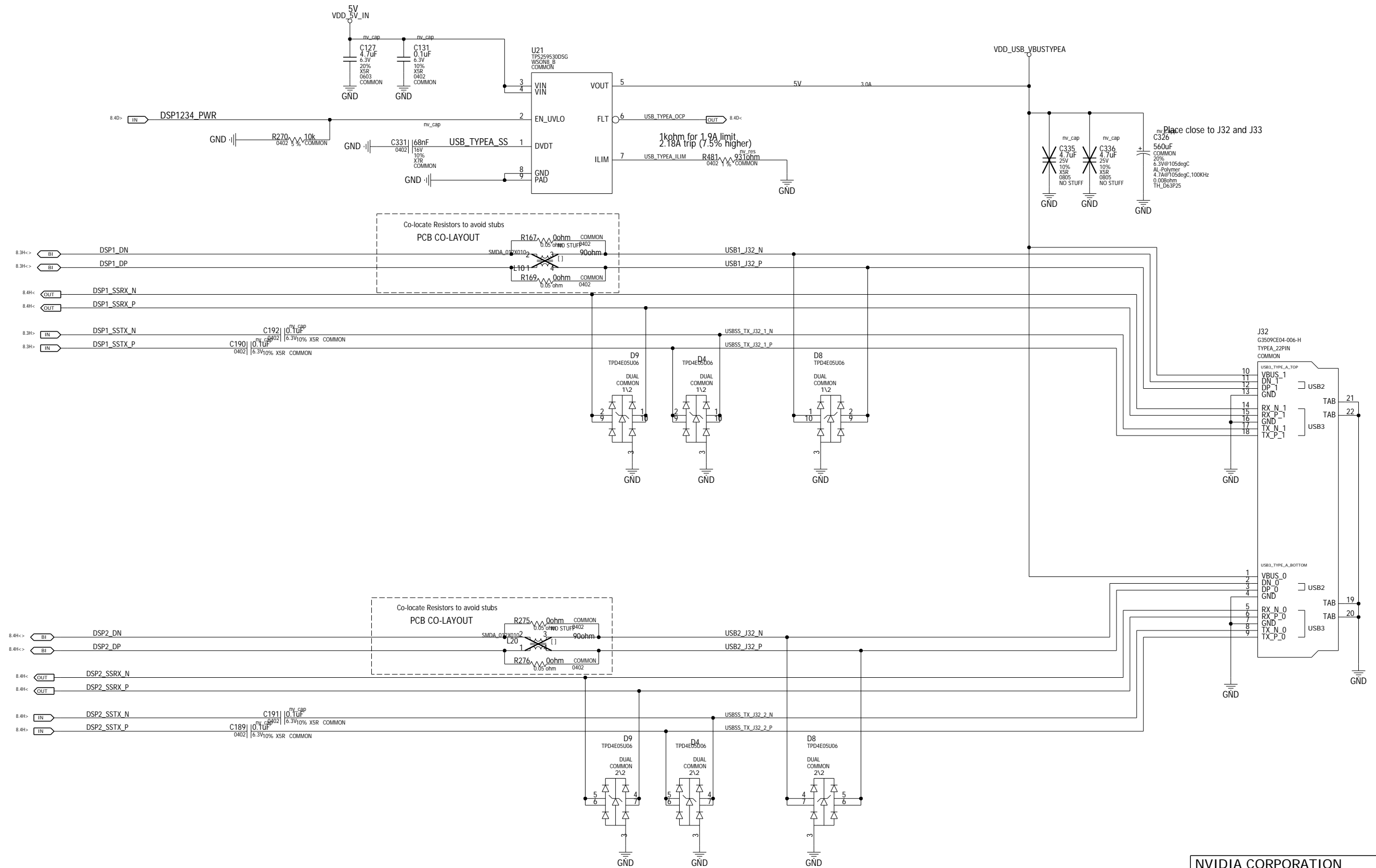
PCB REV	P3449-B01	PAGE	7 OF 23
BOM REV	A	DATE	08-MAY-2019

A B C D E F G H

1
2
3
4
5

1
2
3
4
5

USB 3.0 TYPE A x2 CONNECTOR (1 OF 2)



NVIDIA CORPORATION
 2701 SAN TOMAS EXPRESSWAY
 SANTA CLARA, CA 95050, USA

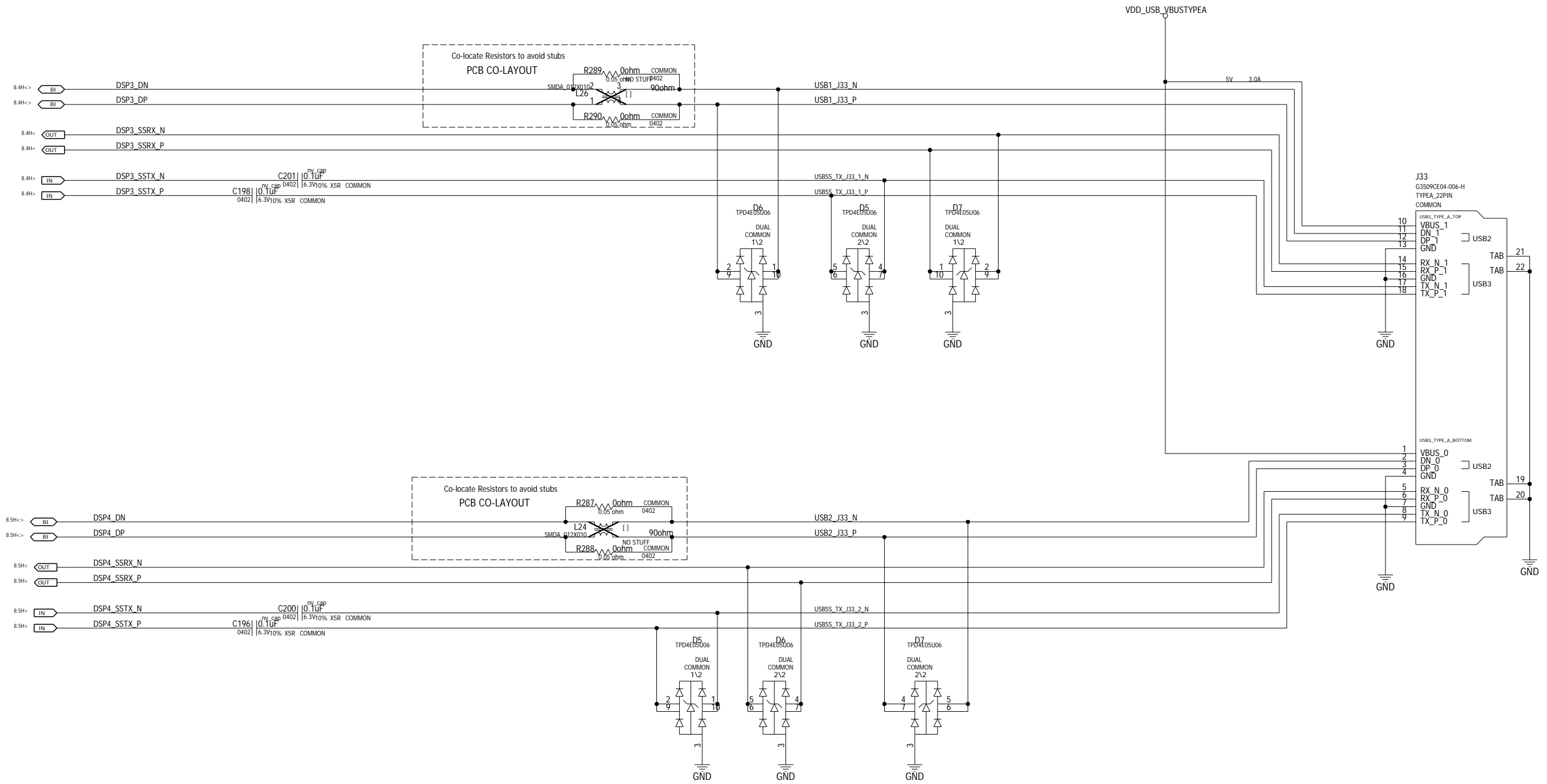
NV_PN	600-13449-0000-400
PCB REV	P3449-B01
BOM REV	A

PAGE 9 OF 23
 DATE 08-MAY-2019

ALL NVIDIA DESIGN SPECIFICATIONS, REFERENCE BOARDS, FILES, DRAWINGS, DIAGNOSTICS, LISTS AND OTHER DOCUMENTS (TOGETHER AND SEPARATELY, "MATERIALS") ARE BEING PROVIDED "AS IS". THE MATERIALS MAY CONTAIN KNOWN AND UNKNOWN VIOLATIONS OR DEVIATIONS OF INDUSTRY STANDARDS AND SPECIFICATIONS. NVIDIA MAKES NO WARRANTIES, EXPRESSED, IMPLIED, STATUTORY OR OTHERWISE WITH RESPECT TO THE MATERIALS OR OTHERWISE, AND EXPRESSLY DISCLAIMS ALL IMPLIED WARRANTIES INCLUDING, WITHOUT LIMITATION, THE WARRANTIES OF DESIGN, OF NONINFRINGEMENT, MERCHANTABILITY OR FITNESS FOR A PARTICULAR PURPOSE, OR ARISING FROM A COURSE OF DEALING, TRADE USAGE, TRADE PRACTICE, OR INDUSTRY STANDARDS.

ASSEMBLY	Jetson Nano Carrier Board
PAGE DETAIL	USB3.1 Type-A x2 (A)

USB 3.0 TYPE A x2 CONNECTOR (2 OF 2)



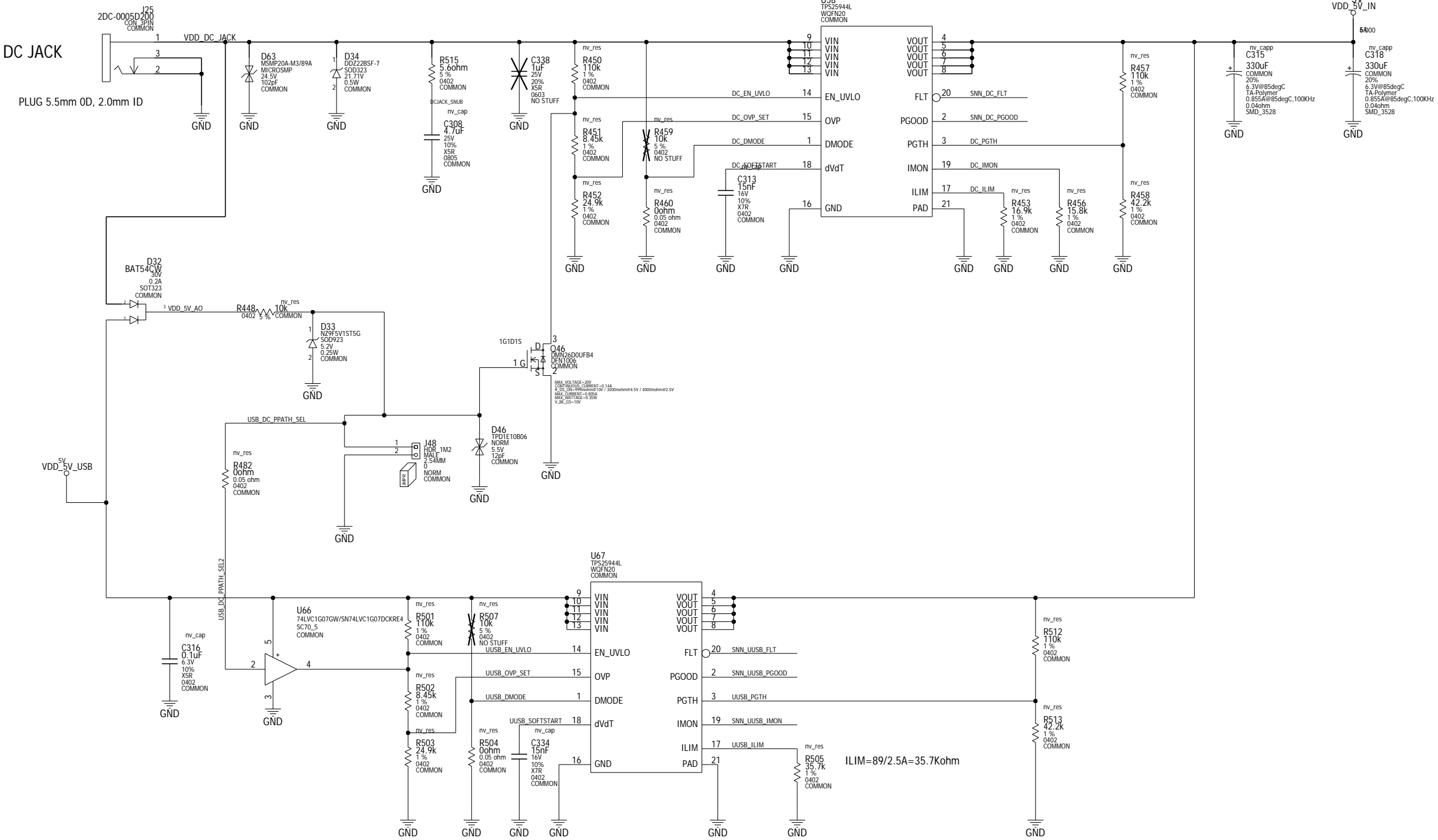
ASSEMBLY	Jetson Nano Carrier Board
PAGE DETAIL	USB3.1 Type-A x2 (B)

ALL NVIDIA DESIGN SPECIFICATIONS, REFERENCE SPECIFICATIONS, REFERENCE BOARDS, FILES, DRAWINGS, DIAGNOSTICS, LISTS AND OTHER DOCUMENTS (TOGETHER AND SEPARATELY, 'MATERIALS') ARE BEING PROVIDED 'AS IS'. THE MATERIALS MAY CONTAIN KNOWN AND UNKNOWN VIOLATIONS OR DEVIATIONS OF INDUSTRY STANDARDS AND SPECIFICATIONS. NVIDIA MAKES NO WARRANTIES, EXPRESSED, IMPLIED, STATUTORY OR OTHERWISE WITH RESPECT TO THE MATERIALS OR OTHERWISE, AND EXPRESSLY DISCLAIMS ALL IMPLIED WARRANTIES INCLUDING, WITHOUT LIMITATION, THE WARRANTIES OF DESIGN, OF NONINFRINGEMENT, MERCHANTABILITY OR FITNESS FOR A PARTICULAR PURPOSE, OR ARISING FROM A COURSE OF DEALING, TRADE USAGE, TRADE PRACTICE, OR INDUSTRY STANDARDS.

NVIDIA CORPORATION
 2701 SAN TOMAS EXPRESSWAY
 SANTA CLARA, CA 95050, USA


NV_PN	600-13449-0000-400	PAGE	10 OF 23
PCB REV	P3449-B01	DATE	08-MAY-2019
BOM REV	A		

DC JACK AND uUSB POWER SOURCE SELECTION

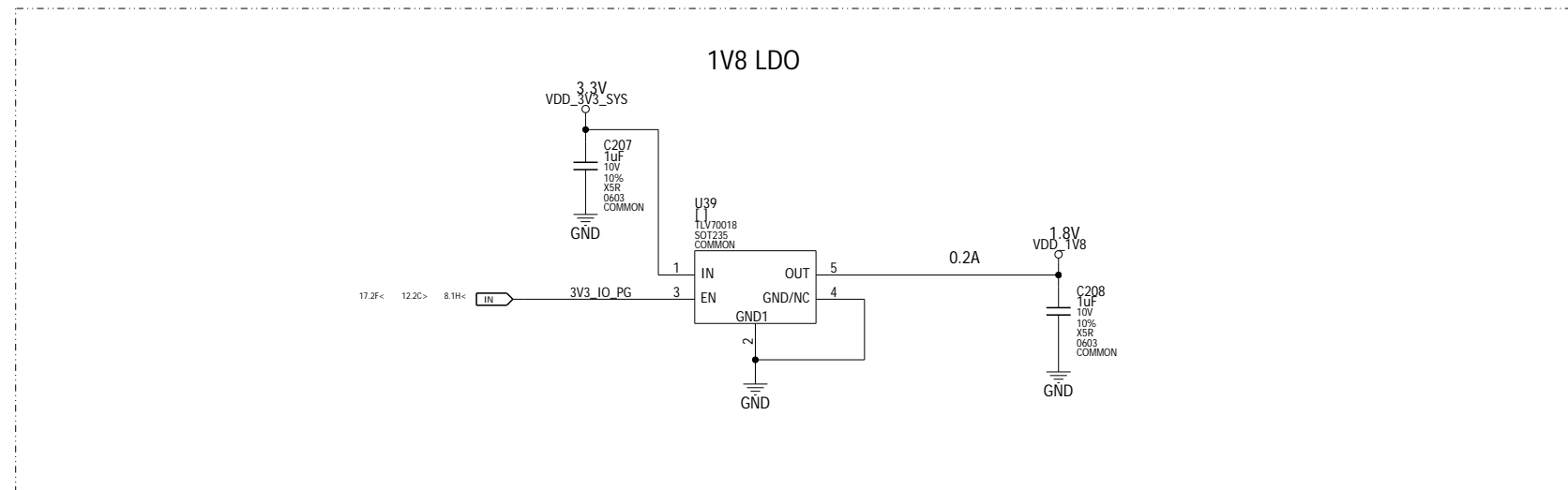
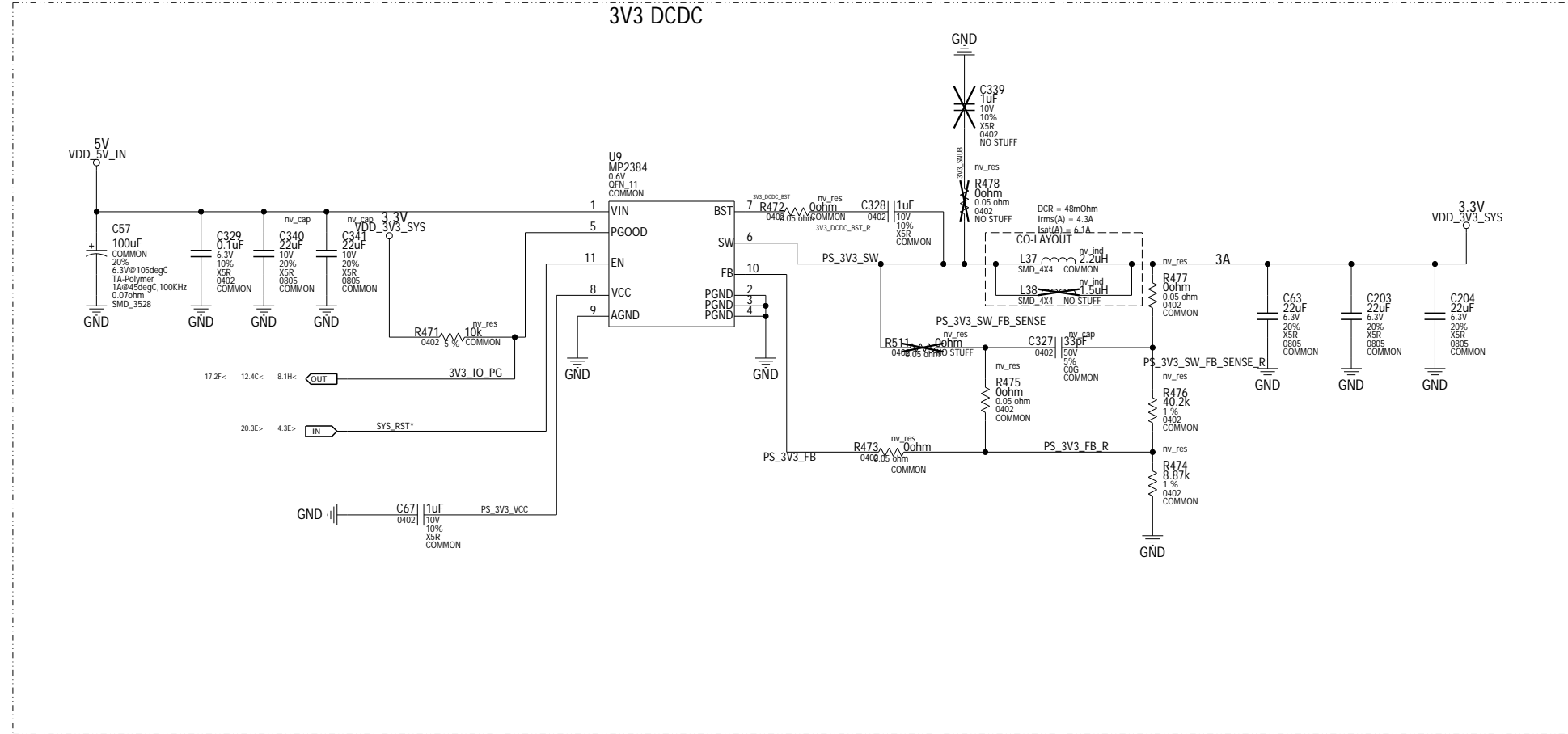


ASSEMBLY	Jetson Nano Carrier Board
PAGE DETAIL	DC Jack

ALL NVIDIA DESIGN SPECIFICATIONS, REFERENCE SPECIFICATIONS, REFERENCE BOARDS, FILES, DRAWINGS, DIAGNOSTICS, LISTS AND OTHER DOCUMENTS OR INFORMATION (TOGETHER AND SEPARATELY, "MATERIALS") ARE BEING PROVIDED "AS IS". THE MATERIALS MAY CONTAIN KNOWN AND UNKNOWN VIOLATIONS OR DEVIATIONS OF INDUSTRY STANDARDS AND SPECIFICATIONS. NVIDIA MAKES NO WARRANTIES, EXPRESSED, IMPLIED, STATUTORY OR OTHERWISE WITH RESPECT TO THE MATERIALS OR OTHERWISE, AND EXPRESSLY DISCLAIMS ALL IMPLIED WARRANTIES INCLUDING, WITHOUT LIMITATION, THE WARRANTIES OF DESIGN, OF NONINFRINGEMENT, MERCHANTABILITY OR FITNESS FOR A PARTICULAR PURPOSE, OR ARISING FROM A COURSE OF DEALING, TRADE USAGE, TRADE PRACTICE, OR INDUSTRY STANDARDS.

NVIDIA CORPORATION			
2701 SAN TOMAS EXPRESSWAY SANTA CLARA, CA 95050, USA			
NV_PN	600-13449-0000-400	PAGE	11 Of 23
PCB REV	P3449-B01	DATE	08-MAY-2019
BOM REV	A		

3V3 & 1V8 POWER SUPPLIES

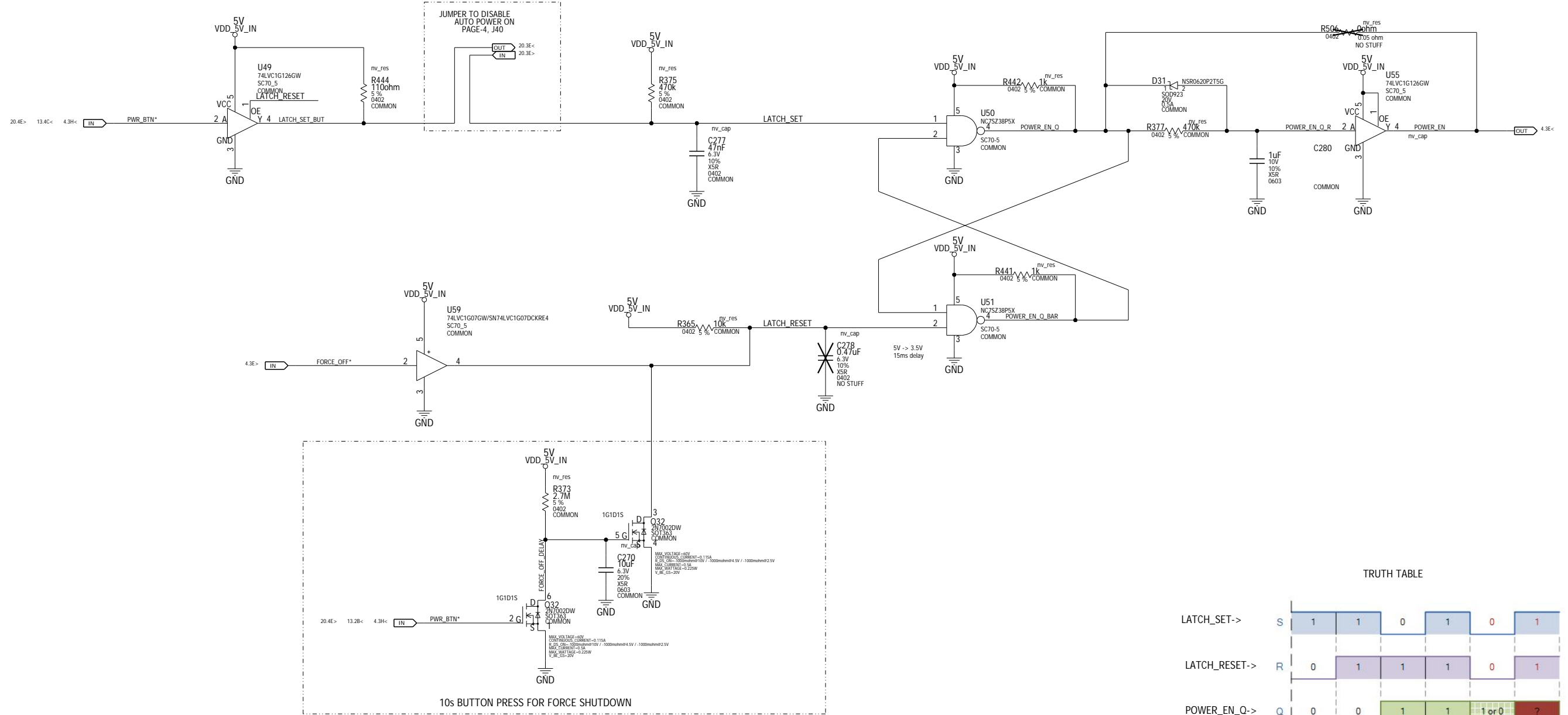


ASSEMBLY	Jetson Nano Carrier Board
PAGE DETAIL	3V3 DCDC and 1V8 LDO

NVIDIA CORPORATION			
2701 SAN TOMAS EXPRESSWAY			
SANTA CLARA, CA 95050, USA			
NV_PN	600-13449-0000-400	PAGE	12 OF 23
PCB REV	P3449-B01	DATE	08-MAY-2019
BOM REV	A		

ALL NVIDIA DESIGN SPECIFICATIONS, REFERENCE SPECIFICATIONS, REFERENCE BOARDS, FILES, DRAWINGS, DIAGNOSTICS, LISTS AND OTHER DOCUMENTS (TOGETHER AND SEPARATELY, "MATERIALS") ARE BEING PROVIDED "AS IS". THE MATERIALS MAY CONTAIN KNOWN AND UNKNOWN VIOLATIONS OR DEVIATIONS OF INDUSTRY STANDARDS AND SPECIFICATIONS. NVIDIA MAKES NO WARRANTIES, EXPRESSED, IMPLIED, STATUTORY OR OTHERWISE WITH RESPECT TO THE MATERIALS OR OTHERWISE, AND EXPRESSLY DISCLAIMS ALL IMPLIED WARRANTIES INCLUDING, WITHOUT LIMITATION, THE WARRANTIES OF DESIGN, OF NONINFRINGEMENT, MERCHANTABILITY OR FITNESS FOR A PARTICULAR PURPOSE, OR ARISING FROM A COURSE OF DEALING, TRADE USAGE, TRADE PRACTICE, OR INDUSTRY STANDARDS.

Module Power ON/OFF logic



TRUTH TABLE

	S	R	Q	Q
LATCH_SET->	1	1	0	1
LATCH_RESET->	0	1	1	0
POWER_EN_Q->	0	0	1	1
	1	1	0	0
	0	0	1	0
	0	0	0	0
	1	1	1	1
	1	1	0	0
	0	0	1	0
	0	0	0	0
	1	1	1	1
	1	1	0	0
	0	0	1	0
	0	0	0	0

Set No Change Reset No Change Invalid Unknown States

ASSEMBLY Jetson Nano Carrier Board
PAGE DETAIL Power ON/OFF Logic

ALL NVIDIA DESIGN SPECIFICATIONS, REFERENCE SPECIFICATIONS, REFERENCE BOARDS, FILES, DRAWINGS, DIAGNOSTICS, LISTS AND OTHER DOCUMENTS OR INFORMATION (TOGETHER AND SEPARATELY, 'MATERIALS') ARE BEING PROVIDED 'AS IS'. THE MATERIALS MAY CONTAIN KNOWN AND UNKNOWN VIOLATIONS OR DEVIATIONS OF INDUSTRY STANDARDS AND SPECIFICATIONS. NVIDIA MAKES NO WARRANTIES, EXPRESSED, IMPLIED, STATUTORY OR OTHERWISE WITH RESPECT TO THE MATERIALS OR OTHERWISE, AND EXPRESSLY DISCLAIMS ALL IMPLIED WARRANTIES INCLUDING, WITHOUT LIMITATION, THE WARRANTIES OF DESIGN, OF NONINFRINGEMENT, MERCHANTABILITY OR FITNESS FOR A PARTICULAR PURPOSE, OR ARISING FROM A COURSE OF DEALING, TRADE USAGE, TRADE PRACTICE, OR INDUSTRY STANDARDS.

NVIDIA CORPORATION

2701 SAN TOMAS EXPRESSWAY

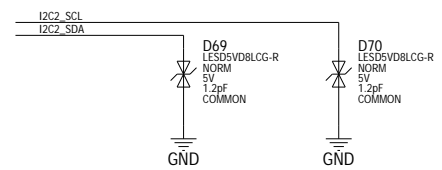
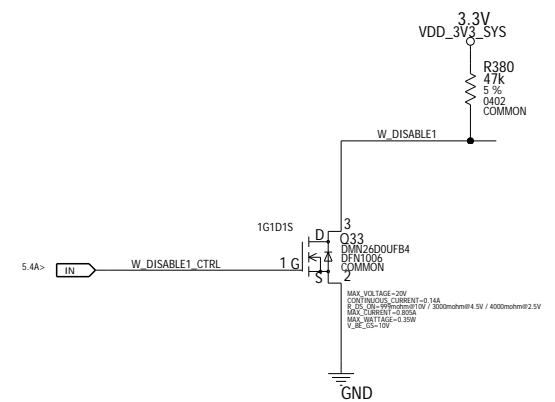
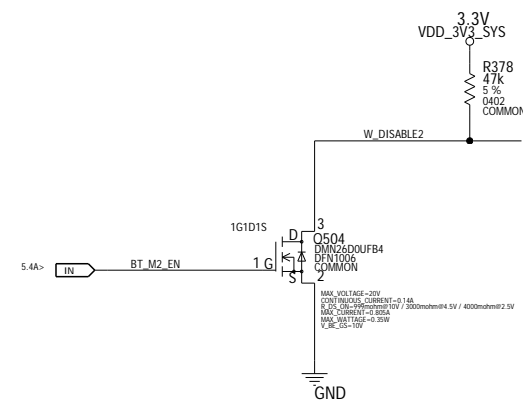
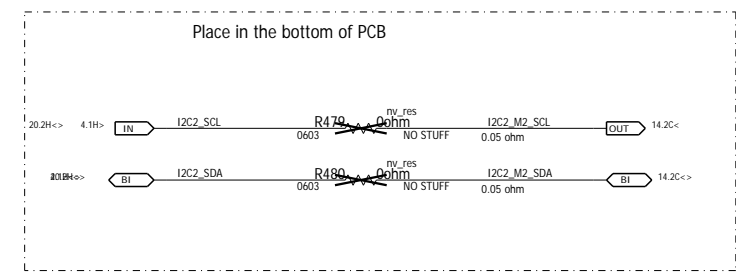
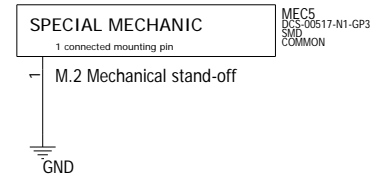
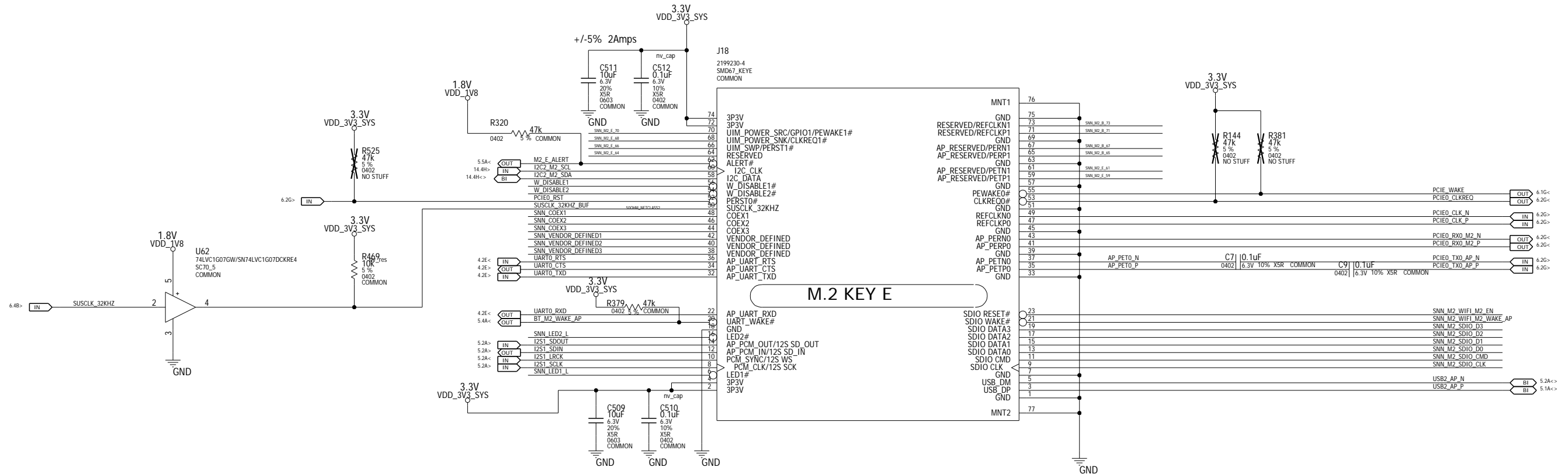
SANTA CLARA, CA 95050, USA



NV_PN 600-13449-0000-400

PCB REV	P3449-B01	PAGE	13 OF 23
BOM REV	A	DATE	08-MAY-2019

M.2 KEY E



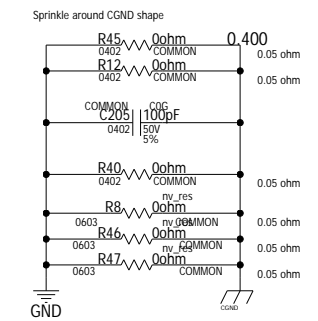
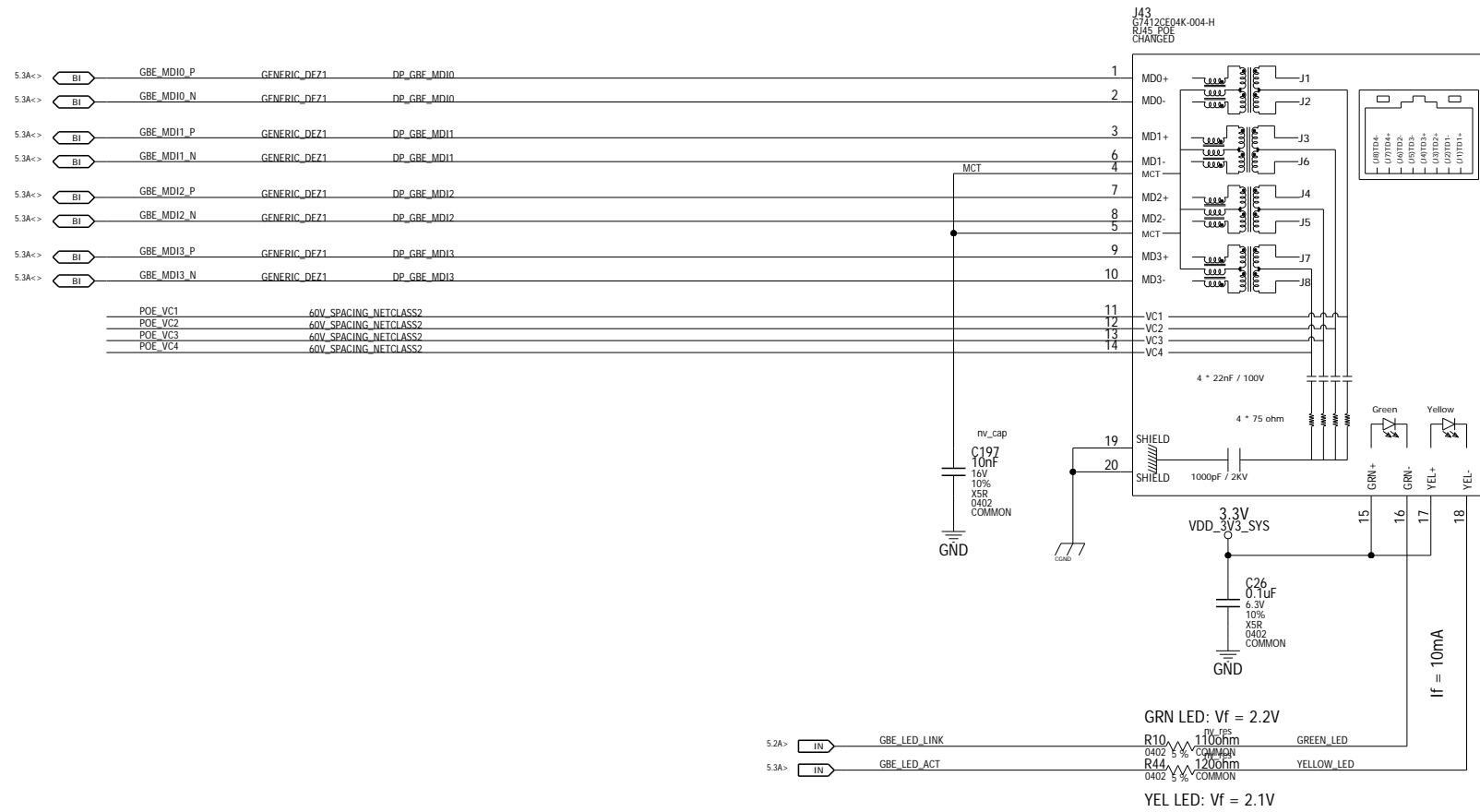
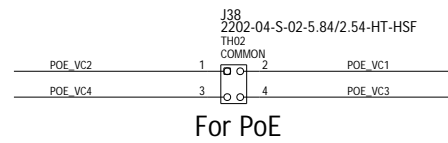
ASSEMBLY	Jetson Nano Carrier Board
PAGE DETAIL	M.2 Key-E

NVIDIA CORPORATION
2701 SAN TOMAS EXPRESSWAY
SANTA CLARA, CA 95050, USA

NV_PN	600-13449-0000-400
PCB REV	P3449-B01
BOM REV	A
PAGE	14 Of 23
DATE	08-MAY-2019

ALL NVIDIA DESIGN SPECIFICATIONS, REFERENCE SPECIFICATIONS, REFERENCE BOARDS, FILES, DRAWINGS, DIAGNOSTICS, LISTS AND OTHER DOCUMENTS OR INFORMATION (TOGETHER AND SEPARATELY, "MATERIALS") ARE BEING PROVIDED "AS IS". THE MATERIALS MAY CONTAIN KNOWN AND UNKNOWN VIOLATIONS OR DEVIATIONS OF INDUSTRY STANDARDS AND SPECIFICATIONS. NVIDIA MAKES NO WARRANTIES, EXPRESSED, IMPLIED, STATUTORY OR OTHERWISE WITH RESPECT TO THE MATERIALS OR OTHERWISE, AND EXPRESSLY DISCLAIMS ALL IMPLIED WARRANTIES INCLUDING, WITHOUT LIMITATION, THE WARRANTIES OF DESIGN, OF NONINFRINGEMENT, MERCHANTABILITY OR FITNESS FOR A PARTICULAR PURPOSE, OR ARISING FROM A COURSE OF DEALING, TRADE USAGE, TRADE PRACTICE, OR INDUSTRY STANDARDS.

Gigabit Ethernet with PoE

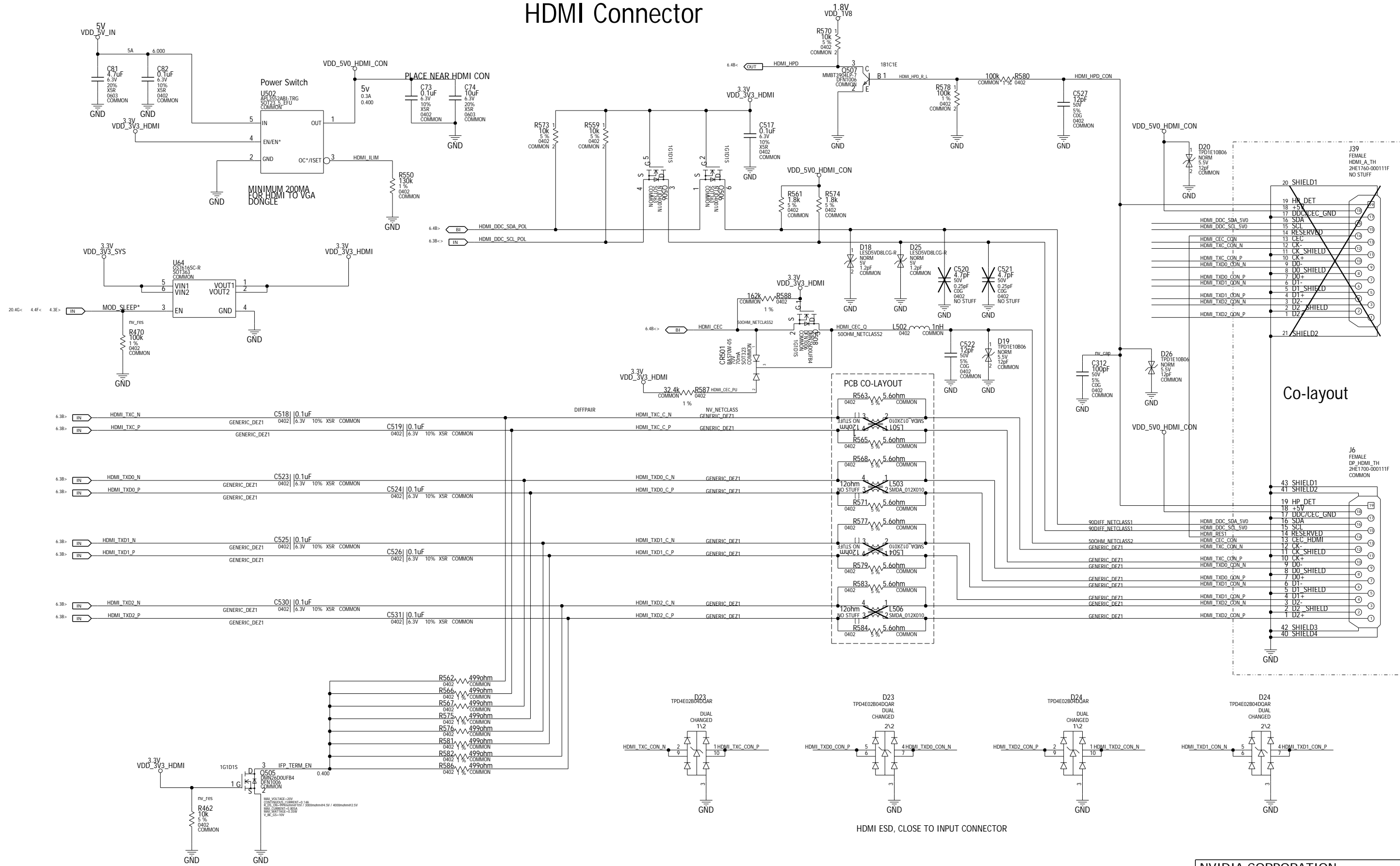


ASSEMBLY	Jetson Nano Carrier Board
PAGE DETAIL	Gigabit Ethernet POE

ALL NVIDIA DESIGN SPECIFICATIONS, REFERENCE SPECIFICATIONS, REFERENCE BOARDS, FILES, DRAWINGS, DIAGNOSTICS, LISTS AND OTHER DOCUMENTS OR INFORMATION (TOGETHER AND SEPARATELY, "MATERIALS") ARE BEING PROVIDED "AS IS". THE MATERIALS MAY CONTAIN KNOWN AND UNKNOWN VIOLATIONS OR DEVIATIONS OF INDUSTRY STANDARDS AND SPECIFICATIONS. NVIDIA MAKES NO WARRANTIES, EXPRESSED, IMPLIED, STATUTORY OR OTHERWISE WITH RESPECT TO THE MATERIALS OR OTHERWISE, AND EXPRESSLY DISCLAIMS ALL IMPLIED WARRANTIES INCLUDING, WITHOUT LIMITATION, THE WARRANTIES OF DESIGN, OF NONINFRINGEMENT, MERCHANTABILITY OR FITNESS FOR A PARTICULAR PURPOSE, OR ARISING FROM A COURSE OF DEALING, TRADE USAGE, TRADE PRACTICE, OR INDUSTRY STANDARDS.

NVIDIA CORPORATION			
2701 SAN TOMAS EXPRESSWAY			
SANTA CLARA, CA 95050, USA			
NV_PN	600-13449-0000-400	PAGE	15 OF 23
PCB REV	P3449-B01	DATE	08-MAY-2019
BOM REV	A		

HDMI Connector



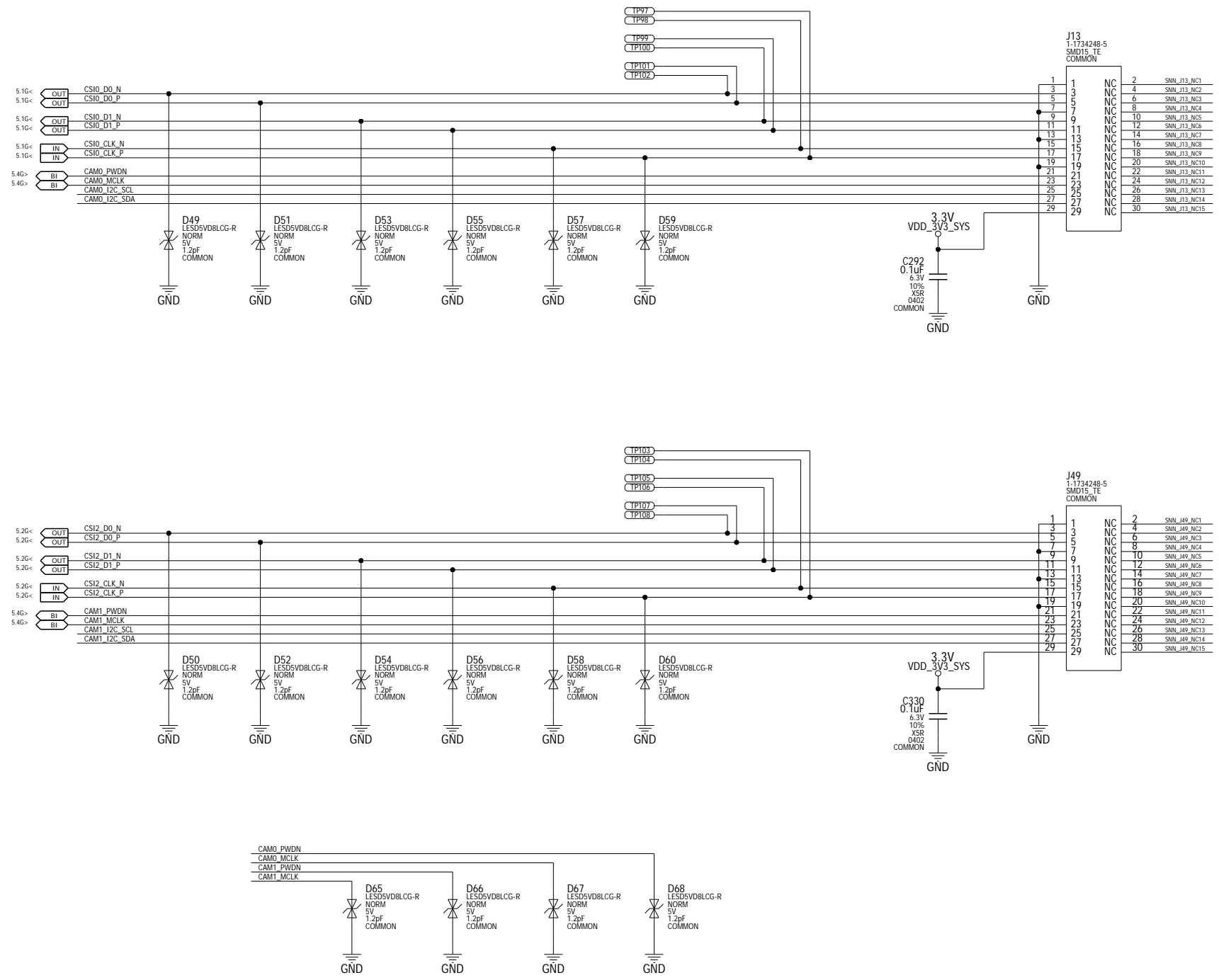
NVIDIA CORPORATION
 2701 SAN TOMAS EXPRESSWAY
 SANTA CLARA, CA 95050, USA

NV_PN	600-13449-0000-400	PAGE	16 OF 23
PCB REV	P3449-B01	DATE	08-MAY-2019
BOM REV	A		

ASSEMBLY	Jetson Nano Carrier Board
PAGE DETAIL	HDMI

ALL NVIDIA DESIGN SPECIFICATIONS, REFERENCE SPECIFICATIONS, REFERENCE BOARDS, FILES, DRAWINGS, DIAGNOSTICS, LISTS AND OTHER DOCUMENTS OR INFORMATION (TOGETHER AND SEPARATELY, 'MATERIALS') ARE BEING PROVIDED 'AS IS'. THE MATERIALS MAY CONTAIN KNOWN AND UNKNOWN VIOLATIONS OR DEVIATIONS OF INDUSTRY STANDARDS AND SPECIFICATIONS. NVIDIA MAKES NO WARRANTIES, EXPRESSED, IMPLIED, STATUTORY OR OTHERWISE WITH RESPECT TO THE MATERIALS OR OTHERWISE, AND EXPRESSLY DISCLAIMS ALL IMPLIED WARRANTIES INCLUDING, WITHOUT LIMITATION, THE WARRANTIES OF DESIGN, OF NONINFRINGEMENT, MERCHANTABILITY OR FITNESS FOR A PARTICULAR PURPOSE, OR ARISING FROM A COURSE OF DEALING, TRADE USAGE, TRADE PRACTICE, OR INDUSTRY STANDARDS.

CSI CAM CONNECTOR



ASSEMBLY	Jetson Nano Carrier Board
PAGE DETAIL	CAM Connector

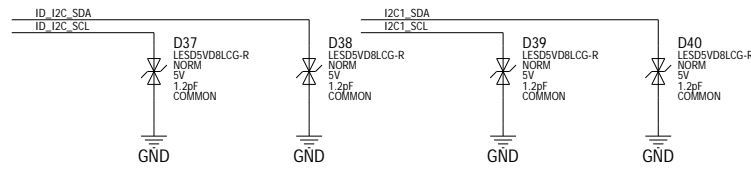
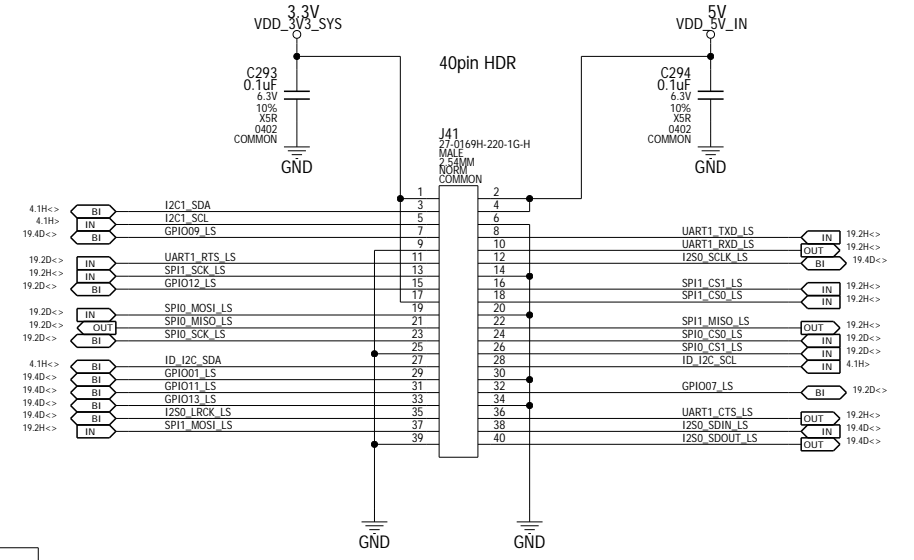
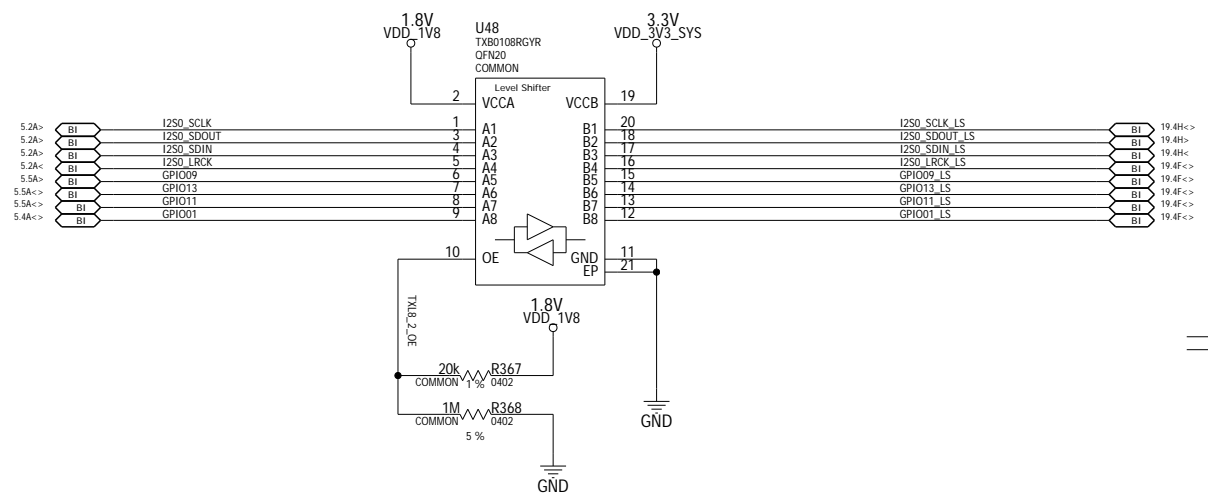
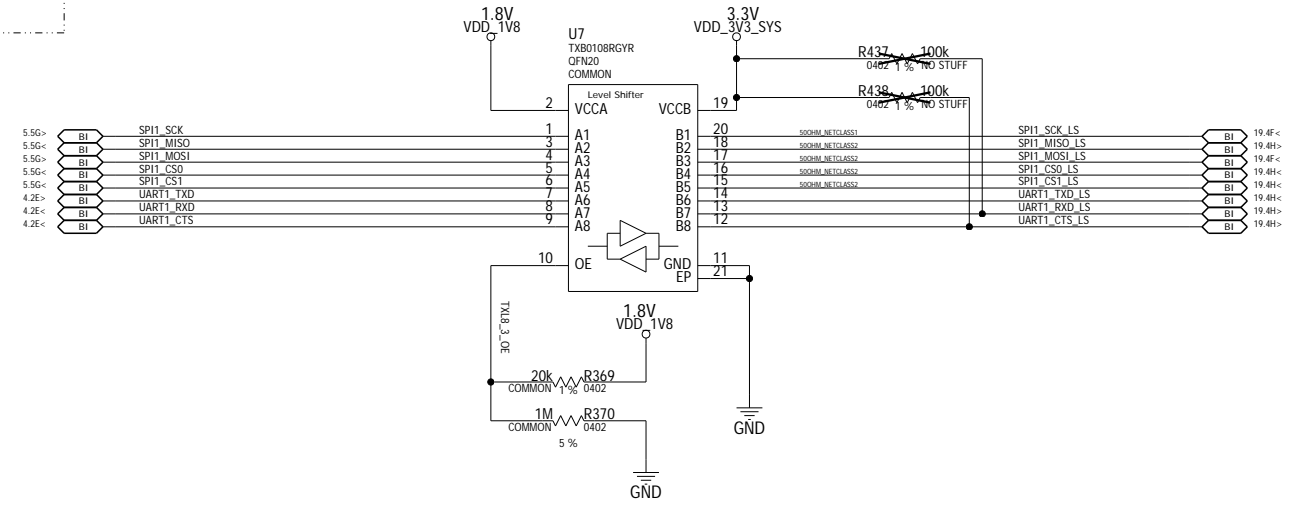
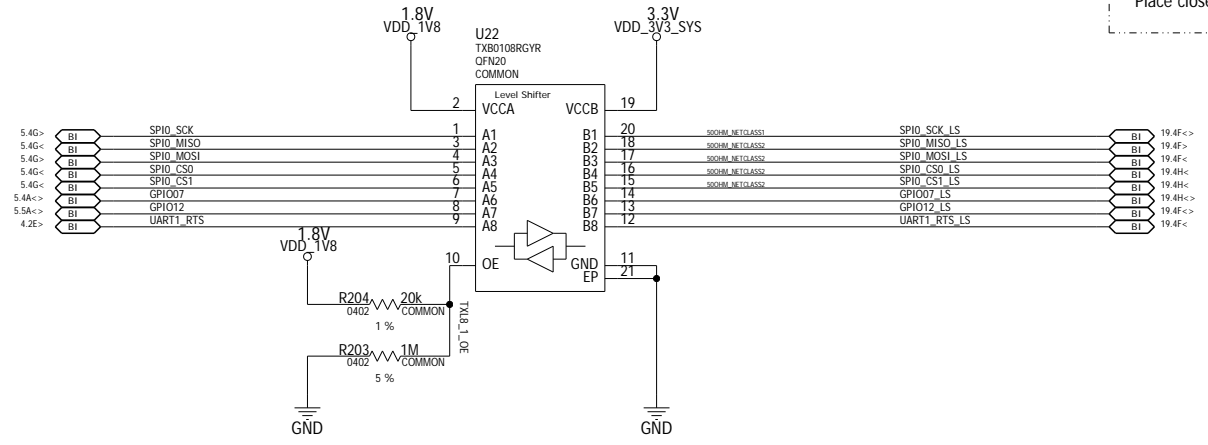
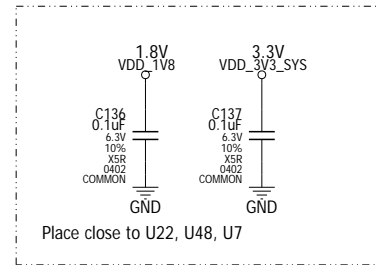
ALL NVIDIA DESIGN SPECIFICATIONS, REFERENCE SPECIFICATIONS, REFERENCE BOARDS, FILES, DRAWINGS, DIAGNOSTICS, LISTS AND OTHER DOCUMENTS OR INFORMATION (TOGETHER AND SEPARATELY, 'MATERIALS') ARE BEING PROVIDED 'AS IS'. THE MATERIALS MAY CONTAIN KNOWN AND UNKNOWN VIOLATIONS OR DEVIATIONS OF INDUSTRY STANDARDS AND SPECIFICATIONS. NVIDIA MAKES NO WARRANTIES, EXPRESSED, IMPLIED, STATUTORY OR OTHERWISE WITH RESPECT TO THE MATERIALS OR OTHERWISE, AND EXPRESSLY DISCLAIMS ALL IMPLIED WARRANTIES INCLUDING, WITHOUT LIMITATION, THE WARRANTIES OF DESIGN, OF NONINFRINGEMENT, MERCHANTABILITY OR FITNESS FOR A PARTICULAR PURPOSE, OR ARISING FROM A COURSE OF DEALING, TRADE USAGE, TRADE PRACTICE, OR INDUSTRY STANDARDS.

NVIDIA CORPORATION
 2701 SAN TOMAS EXPRESSWAY
 SANTA CLARA, CA 95050, USA

NV_PN	600-13449-0000-400
PCB REV	P3449-B01
BOM REV	A

PAGE	18 OF 23
DATE	08-MAY-2019

40PIN GPIO EXPANSION HEADER & LEVEL SHIFTERS



ASSEMBLY	Jetson Nano Carrier Board
PAGE DETAIL	40Pin GPIO expansion header

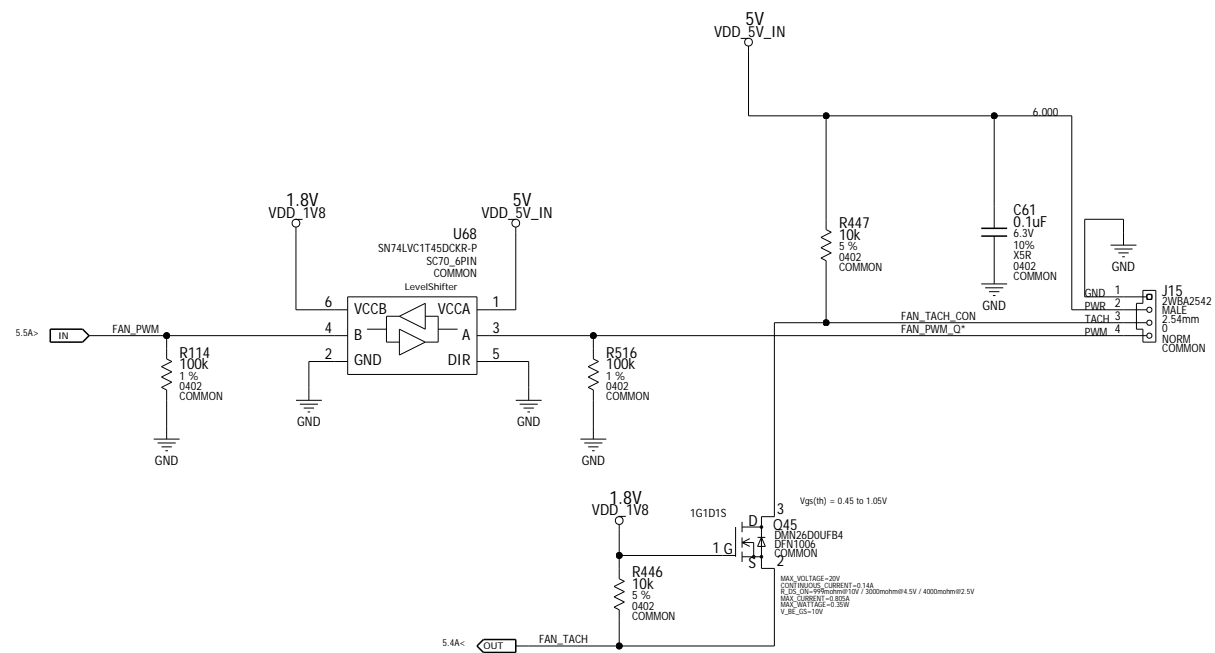
NVIDIA CORPORATION
 2701 SAN TOMAS EXPRESSWAY
 SANTA CLARA, CA 95050, USA

NV_PN	600-13449-0000-400
PCB REV	P3449-B01
BOM REV	A

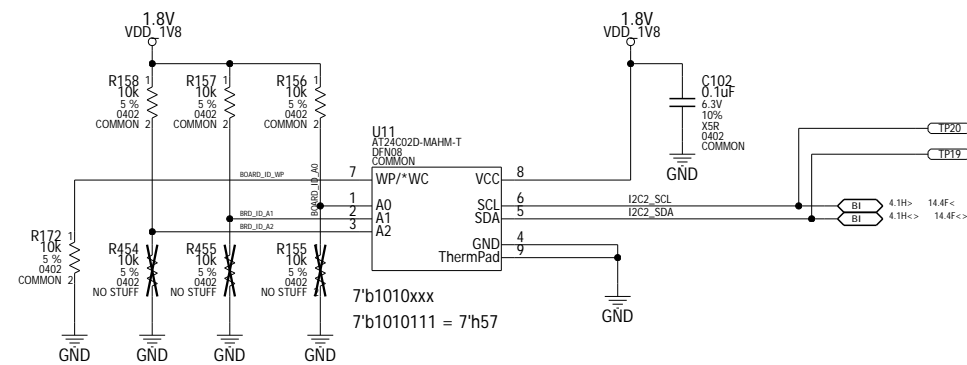
PAGE 19 OF 23
 DATE 08-MAY-2019

ALL NVIDIA DESIGN SPECIFICATIONS, REFERENCE SPECIFICATIONS, REFERENCE BOARDS, FILES, DRAWINGS, DIAGNOSTICS, LISTS AND OTHER DOCUMENTS OR INFORMATION (TOGETHER AND SEPARATELY, 'MATERIALS') ARE BEING PROVIDED 'AS IS'. THE MATERIALS MAY CONTAIN KNOWN AND UNKNOWN VIOLATIONS OR DEVIATIONS OF INDUSTRY STANDARDS AND SPECIFICATIONS. NVIDIA MAKES NO WARRANTIES, EXPRESSED, IMPLIED, STATUTORY OR OTHERWISE WITH RESPECT TO THE MATERIALS OR OTHERWISE, AND EXPRESSLY DISCLAIMS ALL IMPLIED WARRANTIES INCLUDING, WITHOUT LIMITATION, THE WARRANTIES OF DESIGN, OF NONINFRINGEMENT, MERCHANTABILITY OR FITNESS FOR A PARTICULAR PURPOSE, OR ARISING FROM A COURSE OF DEALING, TRADE USAGE, TRADE PRACTICE, OR INDUSTRY STANDARDS.

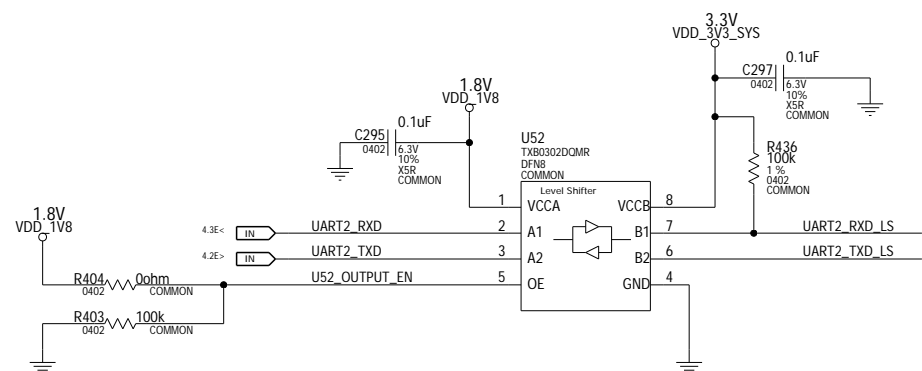
SoC Fan Header 4pin



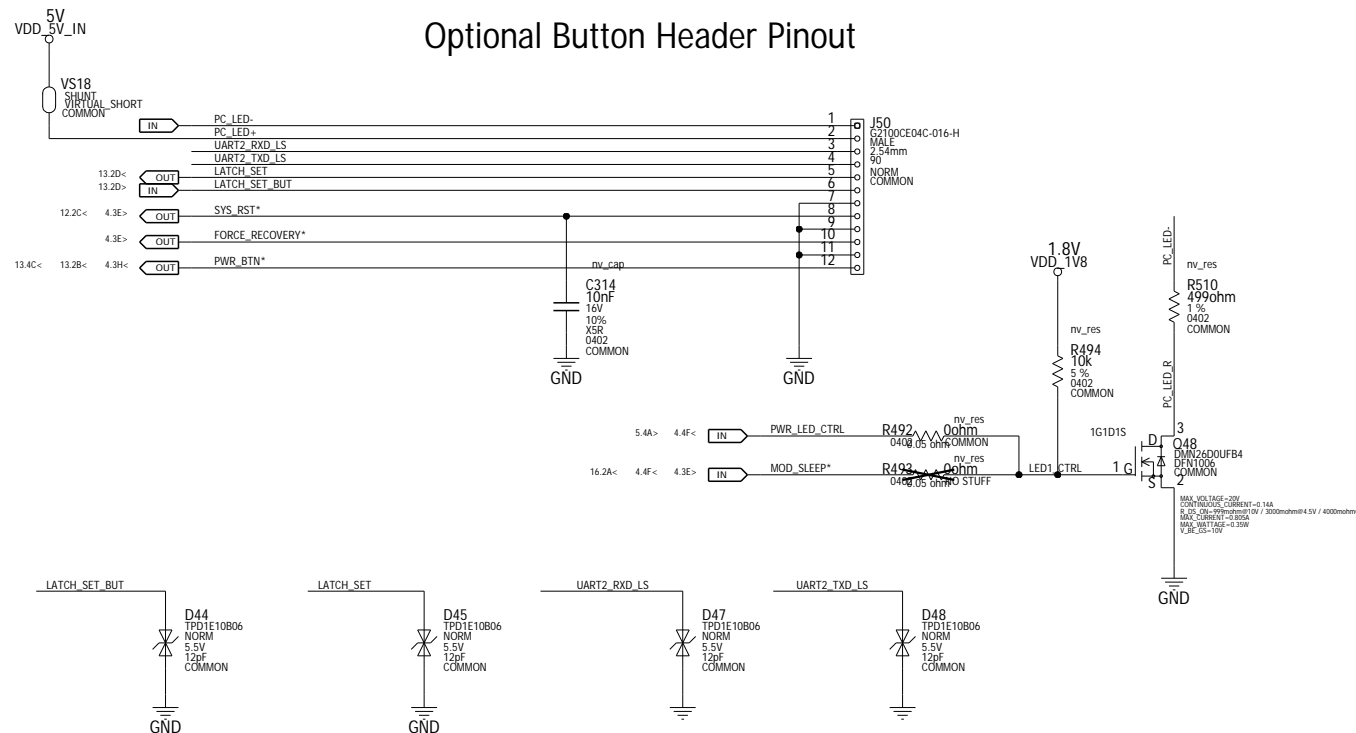
Carrier board config



Serial Port



Optional Button Header Pinout



NVIDIA CORPORATION

2701 SAN TOMAS EXPRESSWAY
SANTA CLARA, CA 95050, USA



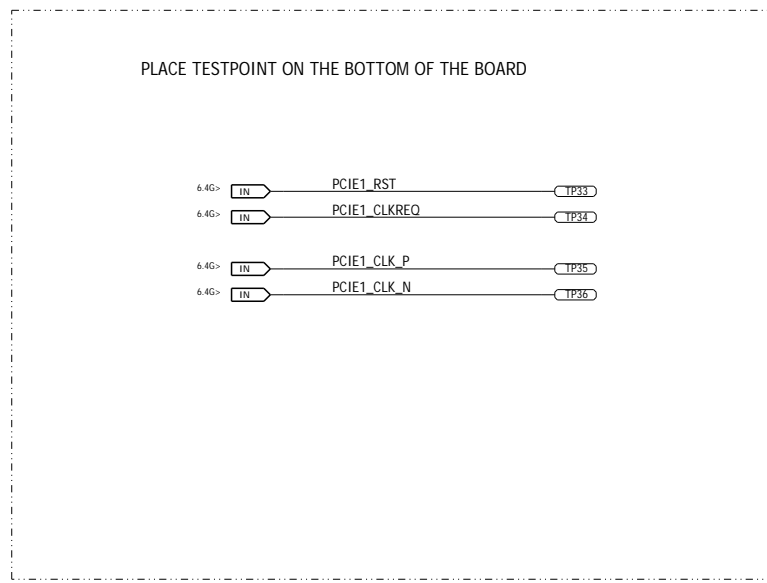
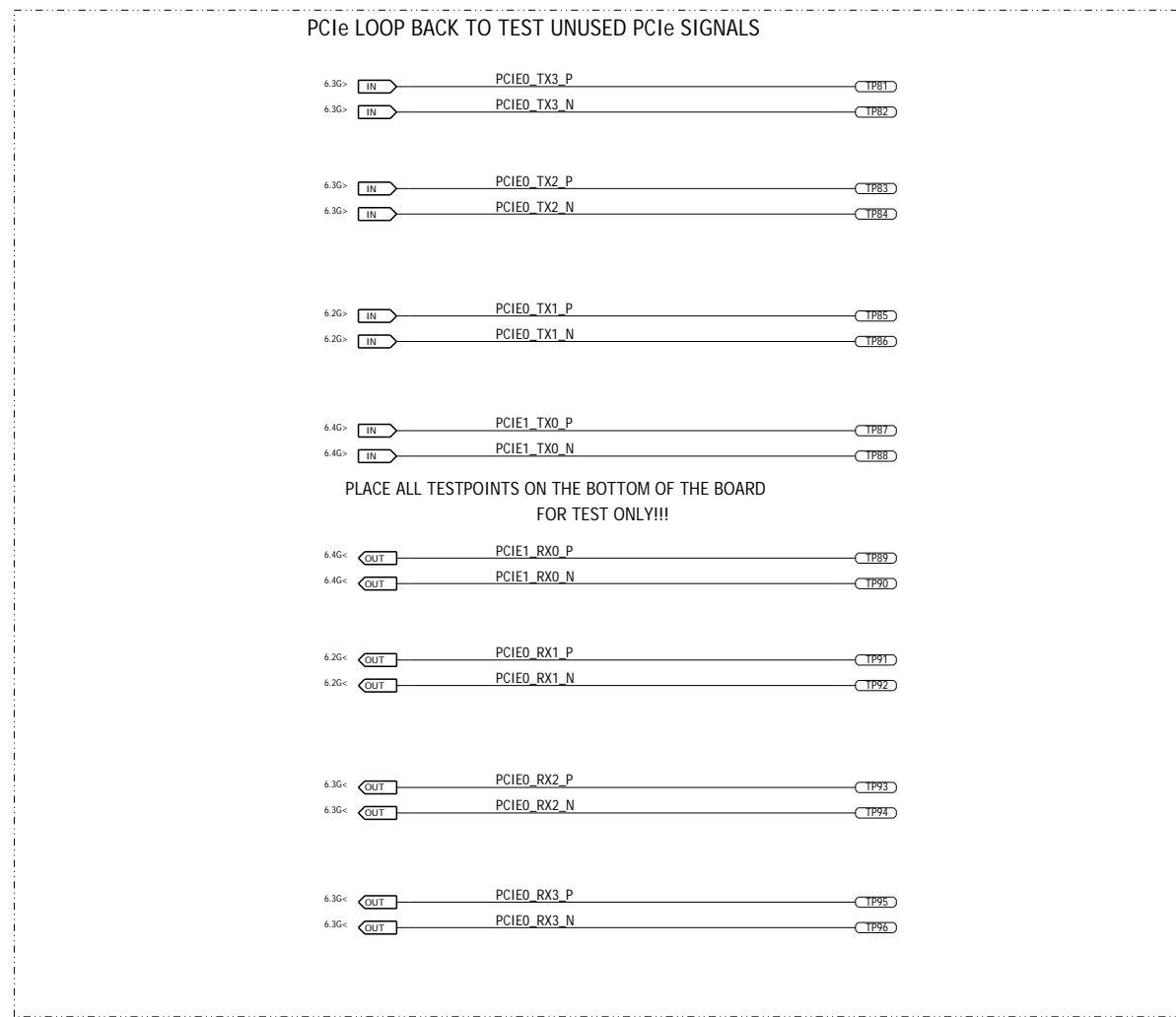
NV_PN 600-13449-0000-400

PCB REV P3449-B01 PAGE 20 OF 23
BOM REV A DATE 08-MAY-2019

ALL NVIDIA DESIGN SPECIFICATIONS, REFERENCE SPECIFICATIONS, REFERENCE BOARDS, FILES, DRAWINGS, DIAGNOSTICS, LISTS AND OTHER DOCUMENTS OR INFORMATION (TOGETHER AND SEPARATELY, "MATERIALS") ARE BEING PROVIDED "AS IS". THE MATERIALS MAY CONTAIN KNOWN AND UNKNOWN VIOLATIONS OR DEVIATIONS OF INDUSTRY STANDARDS AND SPECIFICATIONS. NVIDIA MAKES NO WARRANTIES, EXPRESSED, IMPLIED, STATUTORY OR OTHERWISE WITH RESPECT TO THE MATERIALS OR OTHERWISE, AND EXPRESSLY DISCLAIMS ALL IMPLIED WARRANTIES INCLUDING, WITHOUT LIMITATION, THE WARRANTIES OF DESIGN, OF NONINFRINGEMENT, MERCHANTABILITY OR FITNESS FOR A PARTICULAR PURPOSE, OR ARISING FROM A COURSE OF DEALING, TRADE USAGE, TRADE PRACTICE, OR INDUSTRY STANDARDS.

ASSEMBLY	Jetson Nano Carrier Board
PAGE DETAIL	Fan, Debug and EEPROM

PROVISION FOR LOOP BACK TEST OF UNUSED PCIe SIGNALS



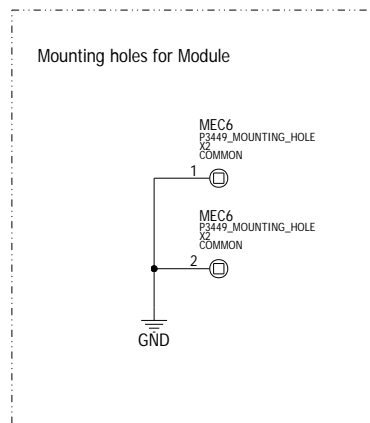
ALL NVIDIA DESIGN SPECIFICATIONS, REFERENCE SPECIFICATIONS, REFERENCE BOARDS, FILES, DRAWINGS, DIAGNOSTICS, LISTS AND OTHER DOCUMENTS OR INFORMATION (TOGETHER AND SEPARATELY, 'MATERIALS') ARE BEING PROVIDED 'AS IS'. THE MATERIALS MAY CONTAIN KNOWN AND UNKNOWN VIOLATIONS OR DEVIATIONS OF INDUSTRY STANDARDS AND SPECIFICATIONS. NVIDIA MAKES NO WARRANTIES, EXPRESSED, IMPLIED, STATUTORY OR OTHERWISE WITH RESPECT TO THE MATERIALS OR OTHERWISE, AND EXPRESSLY DISCLAIMS ALL IMPLIED WARRANTIES INCLUDING, WITHOUT LIMITATION, THE WARRANTIES OF DESIGN, OF NONINFRINGEMENT, MERCHANTABILITY OR FITNESS FOR A PARTICULAR PURPOSE, OR ARISING FROM A COURSE OF DEALING, TRADE USAGE, TRADE PRACTICE, OR INDUSTRY STANDARDS.

ASSEMBLY	Jetson Nano Carrier Board
PAGE DETAIL	Loop Back Test

NVIDIA CORPORATION 2701 SAN TOMAS EXPRESSWAY SANTA CLARA, CA 95050, USA			
NV_PN	600-13449-0000-400	PAGE	21 OF 23
PCB REV	P3449-B01	DATE	08-MAY-2019
BOM REV	A		



Mechanical




NVIDIA CORPORATION			
2701 SAN TOMAS EXPRESSWAY			
SANTA CLARA, CA 95050, USA			
NV_PN	600-13449-0000-400	PAGE	22 OF 23
PCB REV	P3449-B01	DATE	08-MAY-2019
BOM REV	A		

ALL NVIDIA DESIGN SPECIFICATIONS, REFERENCE SPECIFICATIONS, REFERENCE BOARDS, FILES, DRAWINGS, DIAGNOSTICS, LISTS AND OTHER DOCUMENTS OR INFORMATION (TOGETHER AND SEPARATELY, 'MATERIALS') ARE BEING PROVIDED 'AS IS'. THE MATERIALS MAY CONTAIN KNOWN AND UNKNOWN VIOLATIONS OR DEVIATIONS OF INDUSTRY STANDARDS AND SPECIFICATIONS. NVIDIA MAKES NO WARRANTIES, EXPRESSED, IMPLIED, STATUTORY OR OTHERWISE WITH RESPECT TO THE MATERIALS OR OTHERWISE, AND EXPRESSLY DISCLAIMS ALL IMPLIED WARRANTIES INCLUDING, WITHOUT LIMITATION, THE WARRANTIES OF DESIGN, OF NONINFRINGEMENT, MERCHANTABILITY OR FITNESS FOR A PARTICULAR PURPOSE, OR ARISING FROM A COURSE OF DEALING, TRADE USAGE, TRADE PRACTICE, OR INDUSTRY STANDARDS.

ASSEMBLY	Jetson Nano Carrier Board
PAGE DETAIL	Mechanical

Revision History

P3449-A00

NVIDIA CORPORATION			
2701 SAN TOMAS EXPRESSWAY			
SANTA CLARA, CA 95050, USA			
NV_PN	600-13449-0000-400	PAGE	23 OF 23
PCB REV	P3449-B01	DATE	08-MAY-2019
BOM REV	A		

ASSEMBLY	Jetson Nano Carrier Board
PAGE DETAIL	REVISION HISTORY

ALL NVIDIA DESIGN SPECIFICATIONS, REFERENCE SPECIFICATIONS, REFERENCE BOARDS, FILES, DRAWINGS, DIAGNOSTICS, LISTS AND OTHER DOCUMENTS OR INFORMATION (TOGETHER AND SEPARATELY, 'MATERIALS') ARE BEING PROVIDED 'AS IS'. THE MATERIALS MAY CONTAIN KNOWN AND UNKNOWN VIOLATIONS OR DEVIATIONS OF INDUSTRY STANDARDS AND SPECIFICATIONS. NVIDIA MAKES NO WARRANTIES, EXPRESSED, IMPLIED, STATUTORY OR OTHERWISE WITH RESPECT TO THE MATERIALS OR OTHERWISE, AND EXPRESSLY DISCLAIMS ALL IMPLIED WARRANTIES INCLUDING, WITHOUT LIMITATION, THE WARRANTIES OF DESIGN, OF NONINFRINGEMENT, MERCHANTABILITY OR FITNESS FOR A PARTICULAR PURPOSE, OR ARISING FROM A COURSE OF DEALING, TRADE USAGE, TRADE PRACTICE, OR INDUSTRY STANDARDS.