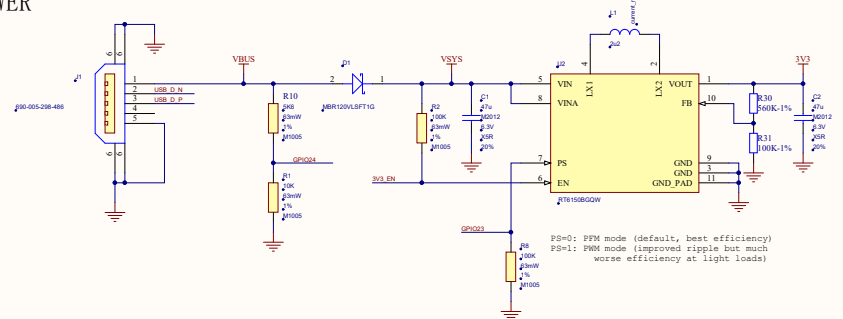
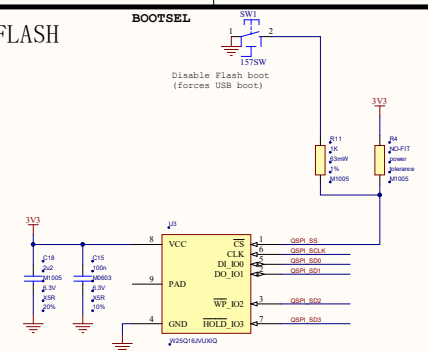


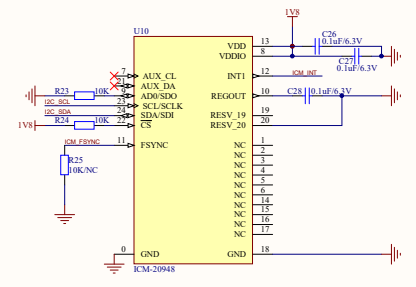
POWER



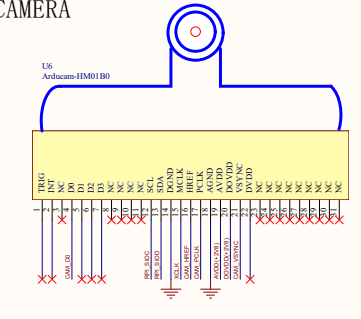
FLASH



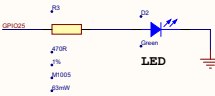
IMU



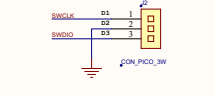
CAMERA



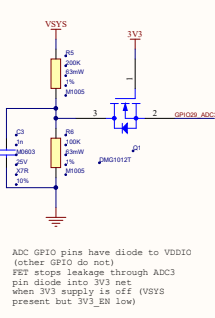
LED



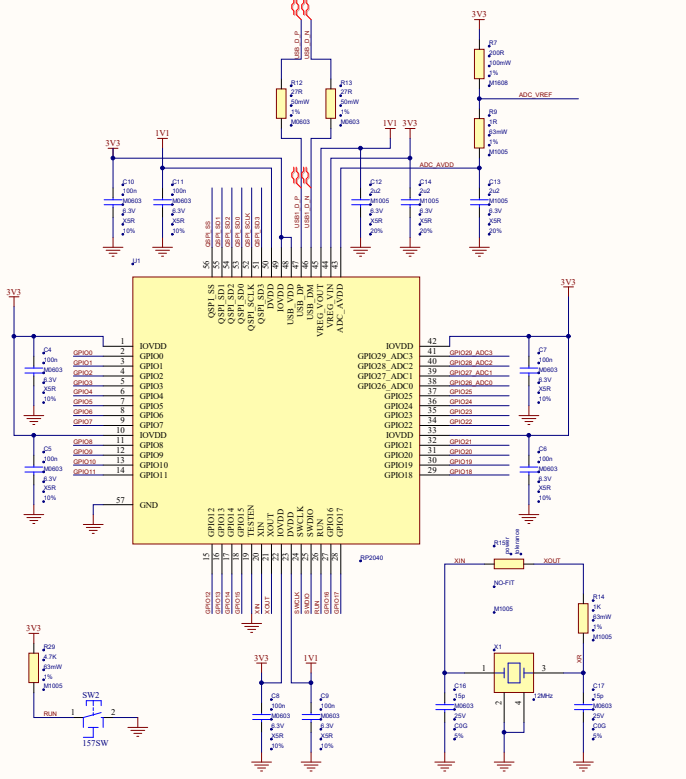
DEBUG



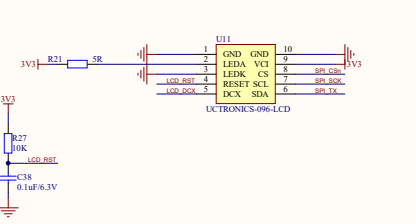
ADC



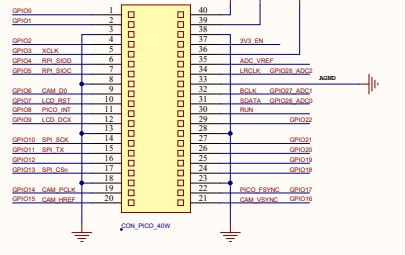
RP2040



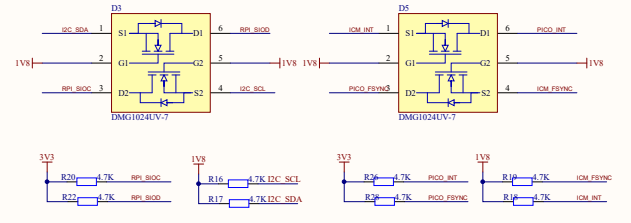
LCD



PICO\_GPIO



Level Shifter



MIC

