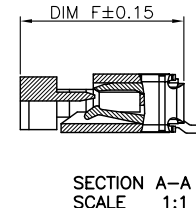
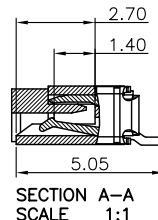
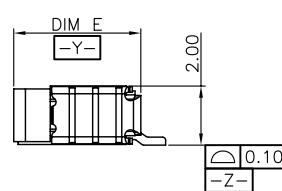
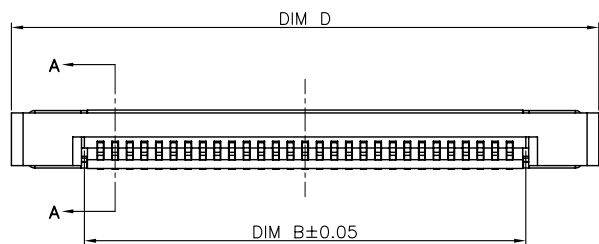


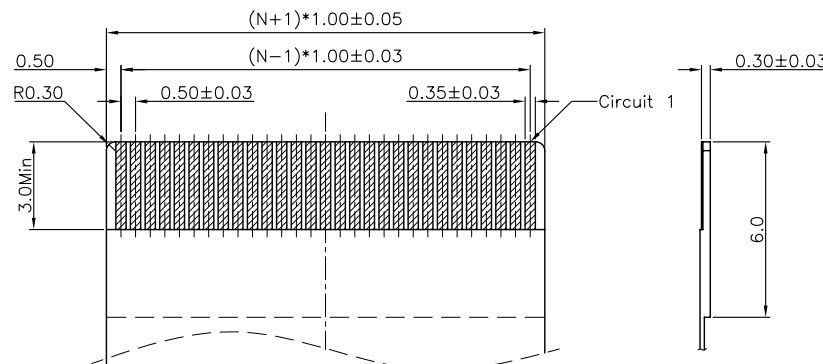
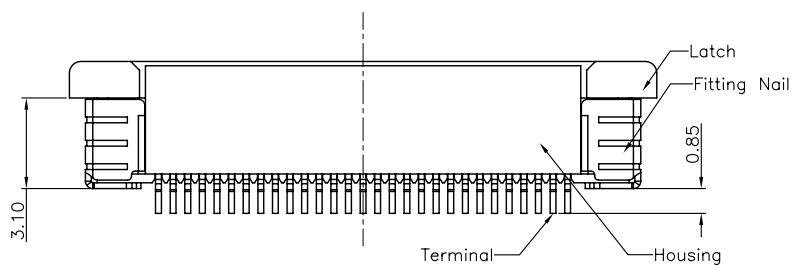
RECOMMENDED P.C.B PATTERN LAYOUT

CKTS	DIM A	DIM B	DIM C	DIM D	DIM E	DIM F
4	1.50	2.60	6.50	7.60		
5	2.00	3.10	7.00	8.10		
6	2.50	3.60	7.50	8.60		
7	3.00	4.10	8.00	9.10		
8	3.50	4.60	8.50	9.60		
9	4.00	5.10	9.00	10.10		
10	4.50	5.60	9.50	10.60		
11	5.00	6.10	10.00	11.10		
12	5.50	6.60	10.50	11.60		
13	6.00	7.10	11.00	12.10		
14	6.50	7.60	11.50	12.60		
15	7.00	8.10	12.00	13.10		
16	7.50	8.60	12.50	13.60		
17	8.00	9.10	13.00	14.10		
18	8.50	9.60	13.50	14.60		
19	9.00	10.10	14.00	15.10	4.35	5.60
20	9.50	10.60	14.50	15.60		
21	10.00	11.10	15.00	16.10		
22	10.50	11.60	15.50	16.60		
23	11.00	12.10	16.00	17.10		
24	11.50	12.60	16.50	17.60		
25	12.00	13.10	17.00	18.10		
26	12.50	13.60	17.50	18.60		
27	13.00	14.10	18.00	19.10		
28	13.50	14.60	18.50	19.60		
29	14.00	15.10	19.00	20.10		
30	14.50	15.60	19.50	20.60		
31	15.00	16.10	20.00	21.10		
32	15.50	16.60	20.50	21.60		
33	16.00	17.10	21.00	22.10		
34	16.50	17.60	21.50	22.60		
35	17.00	18.10	22.00	23.10		
36	17.50	18.60	22.50	23.60		
37	18.00	19.10	23.00	24.10		
38	18.50	19.60	23.50	24.60		
39	19.00	20.10	24.00	25.10		
40	19.50	20.60	24.50	25.60		
41	20.00	21.10	25.00	26.10		
42	20.50	21.60	25.50	26.60		
43	21.00	22.10	26.00	27.10		
44	21.50	22.60	26.50	27.60		
45	22.00	23.10	27.00	28.10		
46	22.50	23.60	27.50	28.60		
47	23.00	24.10	28.00	29.10	4.90	6.15
48	23.50	24.60	28.50	29.60		
49	24.00	25.10	29.00	30.10		
50	24.50	25.60	29.50	30.60		
51	25.00	26.10	30.00	31.10		
52	25.50	26.60	30.50	31.60		
53	26.00	27.10	31.00	32.10		
54	26.50	27.60	31.50	32.60		
55	27.00	28.10	32.00	33.10		
56	27.50	28.60	32.50	33.60		
57	28.00	29.10	33.00	34.10		
58	28.50	29.60	33.50	34.60		
59	29.00	30.10	34.00	35.10		
60	29.50	30.60	34.50	35.60		



SECTION A-A SCALE 1:1

SECTION A-A SCALE 1:1



RECOMMENDED FPC/FFC DIMENSION

- Note:
- Material:
 - Housing: thermoplastic high temp. UL94V-0; Color: natural.
 - Latch: thermoplastic high temp. UL94V-0; Color: black.
 - Terminal: copper alloy T=0.20mm
 - Fitting Nail: copper alloy T=0.20mm
 - Finsh:
 - Terminal: Underplating: matt Tin overall.
 - Fitting Nail: Underplating: matt Tin overall.
 - Product must comply HF RoHS specification.

PART NO. SPEC
AF3A XX B * S O T 1 0_Q0Q1

NO. OF CKTS
CONTACT TYPE
A:Upper
B:Lower
PACKING CODE
P:Tape & Reel
T:Tube

PLATING CODE
0:MATT-Tin 90-120u"
1:GOLD FLASH 1u"
2:GOLD FLASH 2u"
3:GOLD FLASH 3u"
A:Point Gold-plated 1u"
B:Point Gold-plated 2u"
C:Point Gold-plated 3u"

CUSTOMER DRAWING		ZHENGYANG 振陽精密電子實業有限公司 Zhenyang Precision Electronic Industrial Co.,Ltd	
Tolerance Unspecified (未注公差)	Size (圖幅): A4	Product Name (產品名稱): 0.5Pitch H=2.0 FPC ZIF CONN. RA SMT Lower TYPE(3)	
0.0 ±0.15 0°. ±5°	Unit (單位): MM	Product No (產品料號): AF3AXXB*SOT10_Q0Q1	
0.00 ±0.10 0°.0 ±3°	Scale (比例): 1:1	Project View (投影視角): 1 Q F 1	Page (頁數): 1 Q F 1
0.000 ±0.05 0°.00 ±1°	Rev (版本): A	Designer (設計): Steven 12/23/11	Checked (審核): Allan 12/23/11
Rev 版本		Approved (核准):	

A	初版發行	2011/12/23	Allan
Rev 版本	Change Description 變更內容	Date 日期	Revisor 制/修訂人